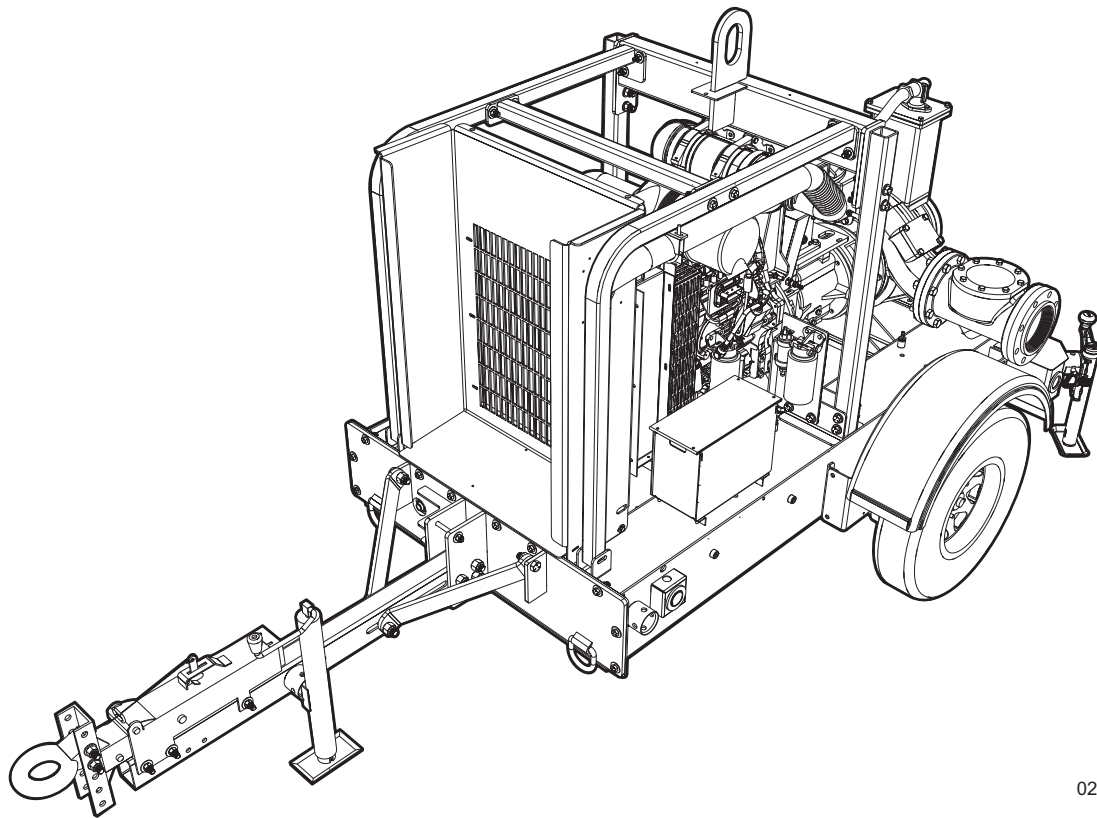


**GENERAC<sup>®</sup>**

**MAGNUM**

**DRY-PRIME DIESEL TRASH PUMP  
MTP6DZD**



02184

**PARTS MANUAL**

---

**⚠ WARNING**

California Proposition 65. Engine exhaust and some of its constituents are known to the state of California to cause cancer, birth defects, and other reproductive harm.

(000004)

---

---

**⚠ WARNING**

California Proposition 65. This product contains or emits chemicals known to the state of California to cause cancer, birth defects, and other reproductive harm.

(000005)

---

---

**⚠ WARNING**

Environmental Hazard. Always recycle batteries at an official recycling center in accordance with all local laws and regulations. Failure to do so could result in environmental damage, death or serious injury.

(000228)

---

## Introduction

This parts manual was prepared based on the information available at the time of publication and is subject to change without notice. Generac Mobile Products reserves the right to change parts at any time. To check whether a revised parts manual is available, contact Generac Mobile Products.

DO NOT MODIFY or use this equipment for any application other than which it was designed for. To keep your equipment fully operational, it is suggested you maintain a stock of commonly used maintenance or service parts. A recommended spare parts list can be found in the back of this manual. To order service parts, please go to [www.generacmobileproducts.com](http://www.generacmobileproducts.com) or call Generac Mobile Products.

### **▲ WARNING**

**Before operating or servicing this equipment, read and understand the Generac Mobile Products Operating Manual which was included with the unit when shipped from the factory. Failure to do so increases the risk of injury to yourself or others.**

## **GENERAC MOBILE PRODUCTS LLC**

**215 Power Drive • Berlin, WI 54923 U.S.A.**

**Phone: 920-361-4442**

**FAX: 920-361-4416**

**Toll Free: 1-800-926-9768**

**[www.generacmobileproducts.com](http://www.generacmobileproducts.com)**

**For technical or parts QUESTIONS, please contact the Generac Mobile Products Technical Service team at 1-800-926-9768.**

Engine Make: \_\_\_\_\_

Engine Serial Number: \_\_\_\_\_

Engine Model Number: \_\_\_\_\_

Pump Make: \_\_\_\_\_

Pump Model Number: \_\_\_\_\_

Pump Serial Number: \_\_\_\_\_

Unit Model Number: \_\_\_\_\_

Unit Serial Number: \_\_\_\_\_

This Page Intentionally Left Blank

# Table of Contents

Introduction .....	iii
Parts Manual Instructions .....	1
Unit Decals - Left Side .....	2
Unit Decals - Right Side .....	4
Control Panel Assembly .....	6
Air Filter Assembly .....	8
Exhaust System Assembly .....	10
Cooling System Assembly .....	12
Engine and Pump to Trailer Assembly .....	14
Engine Assembly - Left Side .....	16
Engine Assembly - Right Side .....	18
External Pump Assembly .....	20
Vacuum Pump Assembly .....	22
Bearing Frame Assembly .....	24
Priming Chamber Assembly .....	26
Internal Pump Assembly .....	28
Lift Support Assembly .....	30
Fuel Tank / Trailer Assembly (3 of 3) .....	32
Fuel Tank / Trailer Assembly (2 of 3) .....	34
Fuel Tank / Trailer Assembly (1 of 3) .....	36
Trailer Hitch Options .....	38
Axle Assembly .....	40
Trailer Brake Lines .....	42
Recommended Spare Parts List .....	44

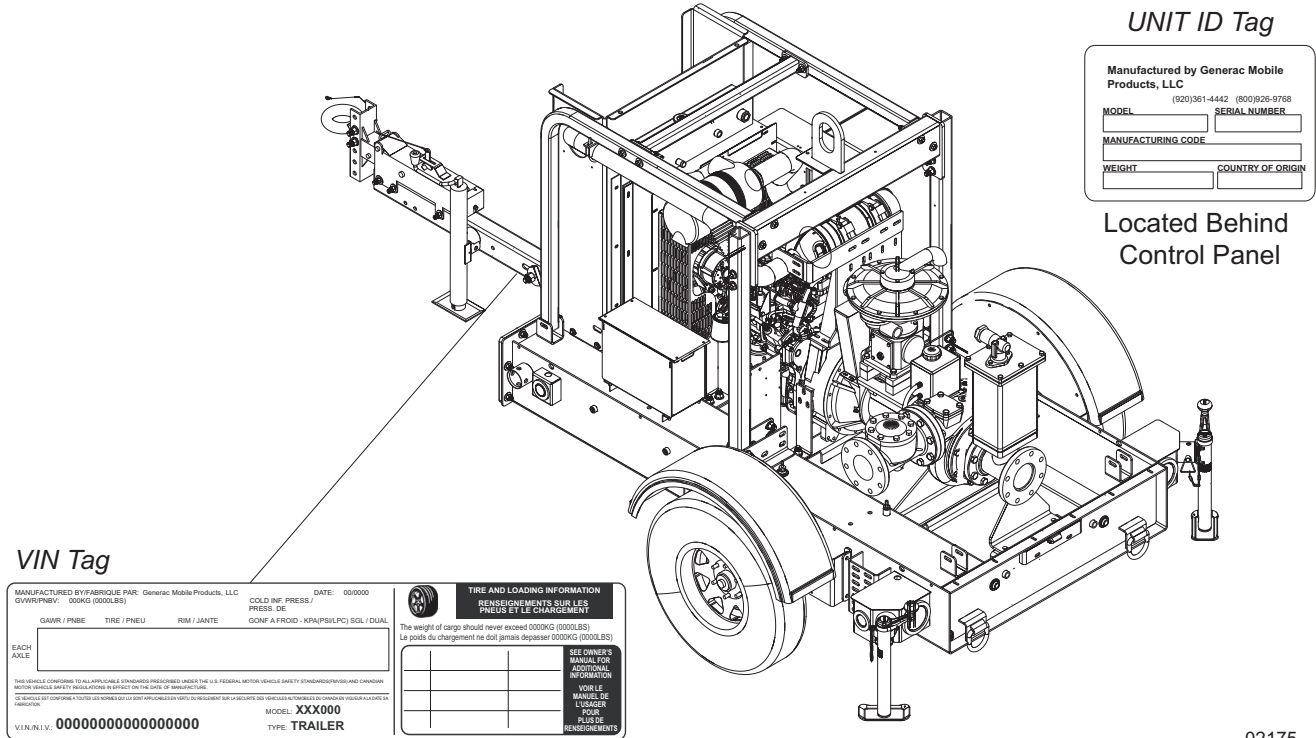
This Page Intentionally Left Blank

# Parts Manual Instructions

Product illustrations are only representations. Products supplied may vary from the illustrations in this parts manual. Parts not shown in the illustration are indicated by a double dash (--) in the item column.

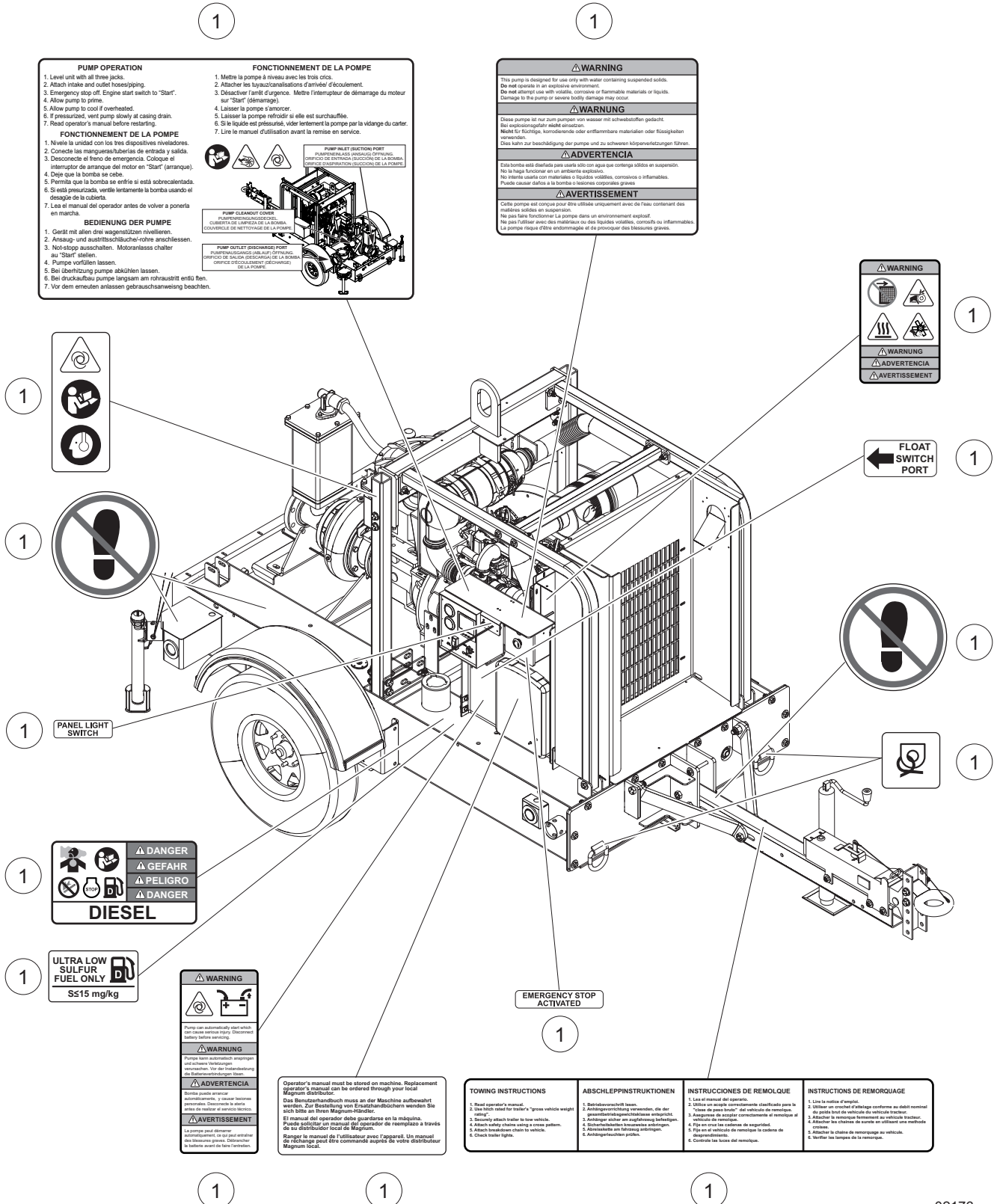
Please be prepared to provide the following information when ordering replacement parts: model number, serial number (on unit serial tag), part number, purchase order number (if applicable), shipping address, shipping method.

Refer to the illustration below to locate the unit ID tag and Vehicle Identification Number (VIN) tag on the unit. Important information, such as the unit serial number, model number, VIN and tire loading information are found on these tags. Record the information from these tags so it is available if the tags are lost or damaged. When ordering parts or requesting assistance, you may be asked to provide this information.



02175

# UNIT DECALS - LEFT SIDE



**PUMP OPERATION**

- Level unit with all three jacks.
- Attach intake and outlet hoses/piping.
- Emergency stop off. Engine start switch to "Start".
- Allow pump to prime.
- Allow pump to cool if overheated.
- If pressurized, vent pump slowly at casing drain.
- Read operator's manual before restarting.

**FONCTIONNEMENT DE LA POMPE**

- Nivelez la unité avec les trois dispositifs niveleurs.
- Connecte les mangueras/tuberies de entrée y salida.
- Desconnecte el freno de emergencia. Coloque el interruptor de arranque del motor en "Start" (arranque).
- Deje que la bomba se cee.
- Permita que la bomba se enfríe si está sobrecalentada.
- Si está presurizada, ventile lentamente la bomba usando el desage de la cubierta.
- Lea el manual del operador antes de volver a ponerla en marcha.

**BEDIENUNG DER PUMPE**

- Gerät mit allen drei wegestützen nivellieren.
- Ansaug- und ausstrichschläuche rohre anschließen.
- Not-stop ausschalten. Motoranlasser chalter au "Start" stellen.
- Pumpe vollföllen lassen.
- Bei überhitzung Pumpe abkühlen lassen.
- Bei druckaufbau Pumpe langsam am rohraustritt entlüften.
- Vor dem erneuten anlassen gebrauchsanweisung beachten.

**PUMP INLET (SUCTION) PORT**  
PUMPAUSLAUG (INDUCCION) PORT  
OFFICE DE ENTRÉE (ASPIRACION) DE LA BOMBA  
OFFICE D'ASPIRACION (SUCCION) DE LA POMPE

**PUMP CLEANOUT COVER**  
PUMPAUSREINIGUNGSABDECKUNG  
CUBIERTA DE LIMPIEZA DE LA BOMBA  
CUBIERTA DE NETTOYAGE DE LA POMPE

**PUMP OUTLET (DISCHARGE) PORT**  
PUMPAUSLAUG (DISCHARG) PORT  
OFFICE DE SORTIE (DESGARG) DE LA BOMBA  
OFFICE D'EGOUT (DESGARG) DE LA POMPE

**WARNING**

This pump is designed for use only with water containing suspended solids. Do not operate in an aggressive environment. Do not attempt use with volatile, corrosive or flammable materials or liquids. Damage to the pump or severe body damage may occur.

**WARNING**

Cette pompe est nur zum pumpen von wasser mit schwebstoffen gedacht. Bei explosionsgefahrl nicht ansetzen. Nicht für flüchtige, korrosierende oder entflammbare materialien oder flüssigkeiten verwenden. Dies kann zur beschädigung der pumpe und zu schweren körperlverletzungen föhren.

**ADVERTENCIA**

Esta bomba está diseñada para usarla sólo con agua que contenga sólidos en suspensión. No la haga funcionar en un ambiente agresivo. No intente usarla con materiales o líquidos volátiles, corrosivos o inflamables. Puede causar daños a la bomba o lesiones corporales graves.

**AVERTISSEMENT**

Cette pompe est conçue pour être utilisée uniquement avec de l'eau contenant des matières solides en suspension. Ne pas faire fonctionner la pompe dans un environnement agressif. Ne pas l'utiliser avec des matériaux ou des liquides volatiles, corrosifs ou inflammables. La pompe risque d'être endommagée et de provoquer des blessures graves.

**WARNING**

**WARNING**

**ADVERTENCIA**

**AVERTISSEMENT**

**DANGER**

**GEFAHR**

**PELIGRO**

**DANGER**

**DIESEL**

**ULTRA LOW SULFUR FUEL ONLY**

Ss15 mg/kg

**WARNING**

Pump can automatically start when hot. Close engine hot/cold. Disconnect battery before servicing.

**WARNING**

Pumpe kann automatisch anfangen und schwere verletzungen verursachen. Vor dem wartungsarbeiten die batterie abschließen. Strom abtrennen. Vor dem wartungsarbeiten die batterie abschließen.

**ADVERTENCIA**

Bomba puede arrancar automáticamente. Si caliente los motores. Desconecte la batería antes de realizar el servicio técnico.

**AVERTISSEMENT**

La pompe peut démarrer automatiquement en se peut entraîner de blessures graves. Débranchez la batterie avant de faire l'entretien.

Operator's manual must be stored on machine. Replacement operator's manual can be ordered through your local Magnum distributor.

Das Benutzerhandbuch muss an der Maschine aufbewahrt werden. Zur Bestellung von Ersatzhandbüchern wenden Sie sich bitte an Ihren Magnum-Händler.

El manual del operador debe guardarse en la máquina. Puede solicitar un manual del operador de reemplazo a través de su distribuidor local de Magnum.

Ranger le manuel de l'utilisateur avec l'appareil. Un manuel de réchange peut être commandé auprès de votre distributeur Magnum local.

**TOWING INSTRUCTIONS**

- Read operator's manual.
- Use 50' line for "towing" gross vehicle weight rating.
- Securely attach trailer to tow vehicle.
- Attach safety chains using a cross pattern.
- Check brake lights.

**ABSCHLEPPINSTRUKTIONEN**

- Benutzerhandbuch lesen.
- Anhängerkupplung verwenden, die der gewichtsbewertung des fahrzeugs entspricht.
- Anhänger sicher am zugfahrzeug befestigen.
- Sicherheitsketten kreuzweise anbringen.
- Anhängerleuchten prüfen.

**INSTRUCCIONES DE REMOLQUE**

- Lea el manual del operario.
- Utilice un acople de arrastre clasificado para la "tarea de arrastre" del vehículo de remolque.
- Asegure de fijar correctamente el remolque al vehículo de remolque.
- Fije en cruz los cadenas de seguridad.
- Revise los luces de freno del remolque.
- Controle las luces del remolque.

**INSTRUZIONI DI REMORQUAGGIO**

- Leggere il manuale d'operatore.
- Utilizzare un uncino d'attacco conforme ai dati nominali del veicolo da trainare.
- Attaccare il rimorco correttamente al veicolo da trainare.
- Attaccare le catene di sicurezza utilizzando una tecnica a croce.
- Verificare le luci di freno del veicolo.
- Verificare le lampi del rimorco.

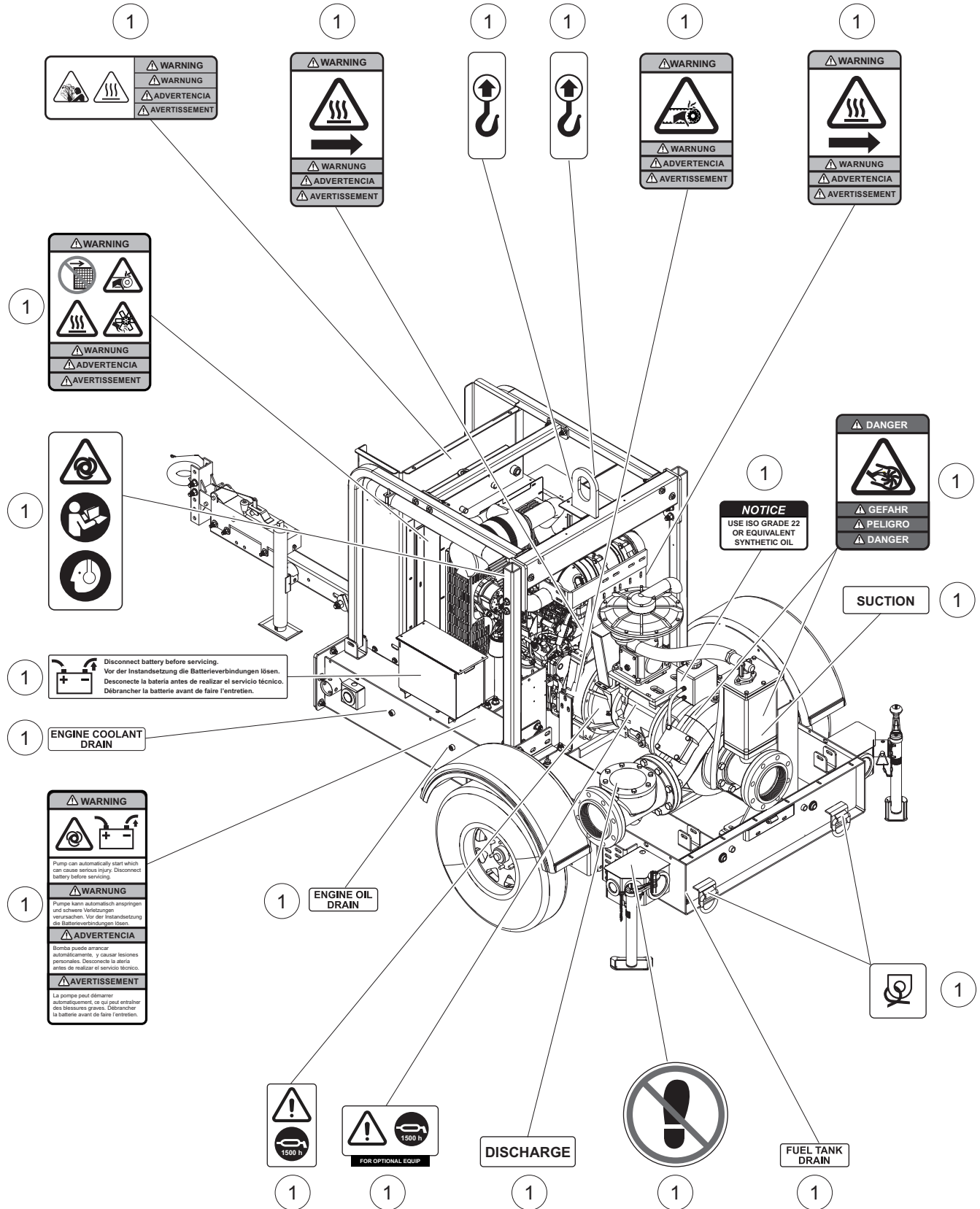


## UNIT DECALS - LEFT SIDE

---

Item	Part No.	Qty	Description	Notes
1	54344	1	Decal, safety/op 4-6 dry open	

# UNIT DECALS - RIGHT SIDE



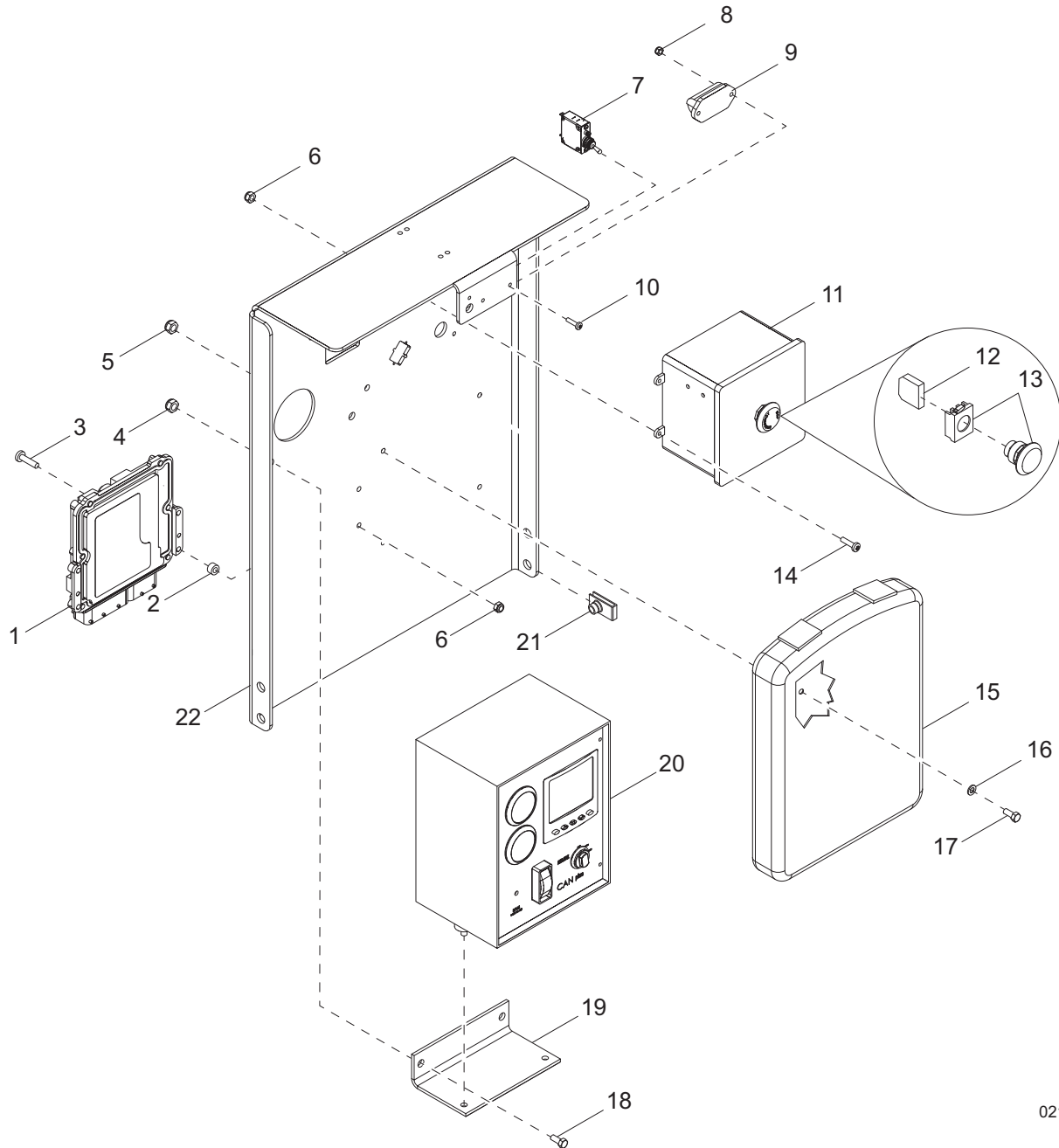
02185

## UNIT DECALS - RIGHT SIDE

---

Item	Part No.	Qty	Description	Notes
1	54344	1	Decal, safety/op 4-6 dry open	

# CONTROL PANEL ASSEMBLY



02153

## CONTROL PANEL ASSEMBLY

---

Item	Part No.	Qty	Description	Notes
1	31509	1	ECU, Duetz 2.9	w/hardware
2	66257	4	Spacer, .20ID, .375OD, .25 thick	
3	60397	4	Screw, 10-32 x 1.0 pan phil, G2	
4	60358	2	Nut, .375-16 nylock, G5	
5	60144	4	Nut, .250-20 nylock, G5	
6	60061	4	Nut, 10-32 nylock	
7	36880	1	Switch, light	
8	60270	2	Nut, 8-32 nylock, G6	
9	36879	1	Light, license plate	
10	60244	2	Screw, 8-32 x .750 pan phil, G2	
11	54019	1	Assembly, E-stop box	
12	65584	1	Block, E-stop contactor NO/NO	
13	65470	1	Switch, E-stop operator	
14	60062	4	Screw, 10-32 x .750 pan phil, G2	
15	24540	1	Holder, manual	
16	60243	4	Washer, .250 flat, .735/.060	
17	60281	4	Screw, .250-20 x .750 hex, G5	
18	60352	2	Screw, .375-16 x 1.25 hex	
19	53693B	1	Bracket, controller mounting	
20	54305	1	Assembly, control box w/controller - Lofa750	w/hardware
21	60727	4	Nut, .375-16 U-clip, short type	
22	31732B	1	Bracket, control box	
--	68304	1	Harness, main	
--	49986	1	Harness, float switch extension	

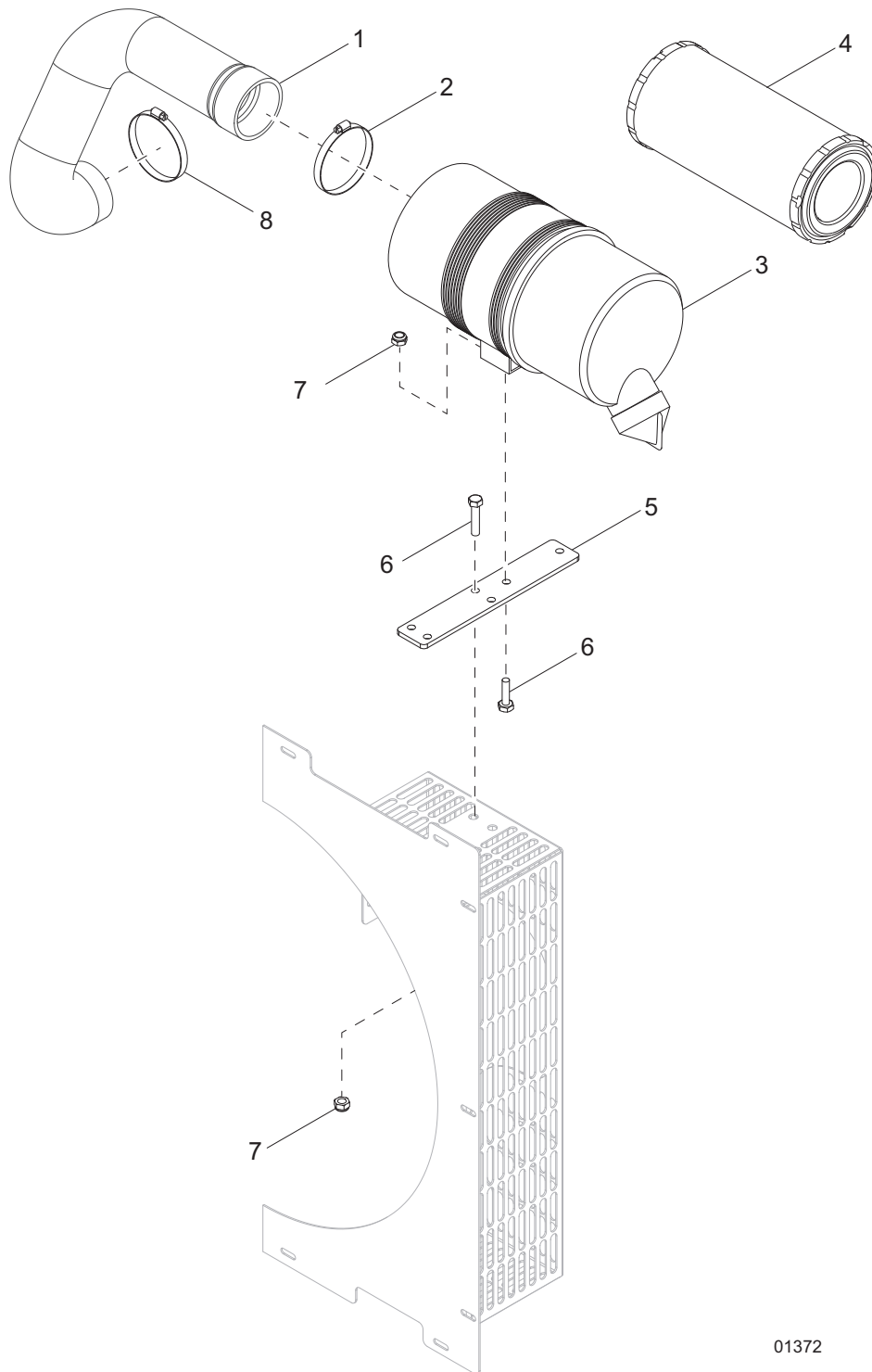
### OPTIONAL FEATURES

#### *Float Switch - Lofa 750:*

--	41581	2	Assembly, float switch
--	49607	1	Adapter, harness - float switch

# AIR FILTER ASSEMBLY

---



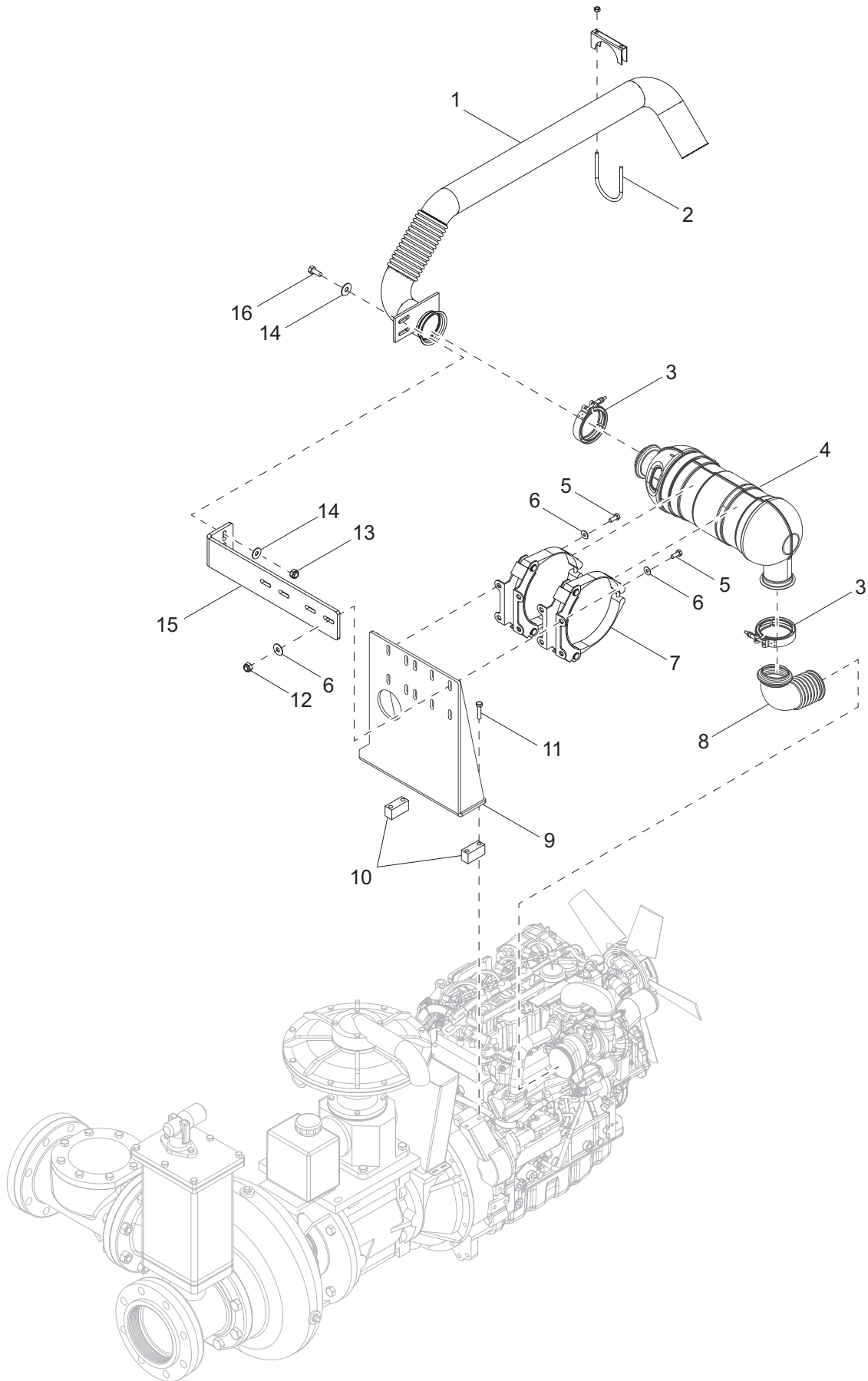
01372

## AIR FILTER ASSEMBLY

---

Item	Part No.	Qty	Description	Notes
1	31461	1	Hose, air filter	
2	19336	1	Clamp, hose - SAE 044 (2.31-3.25)	
3	22967	1	Filter, air	
4	22874	1	Element, air filter	
5	31462B	1	Bracket, air filter	
6	60028	6	Screw, .312-18 x 1.0 std hex, G5	
7	60303	6	Nut, .312-18 nylock, G5	
8	18663	1	Clamp, hose - SAE 060 (3.31-4.25)	

# EXHAUST SYSTEM ASSEMBLY



02186

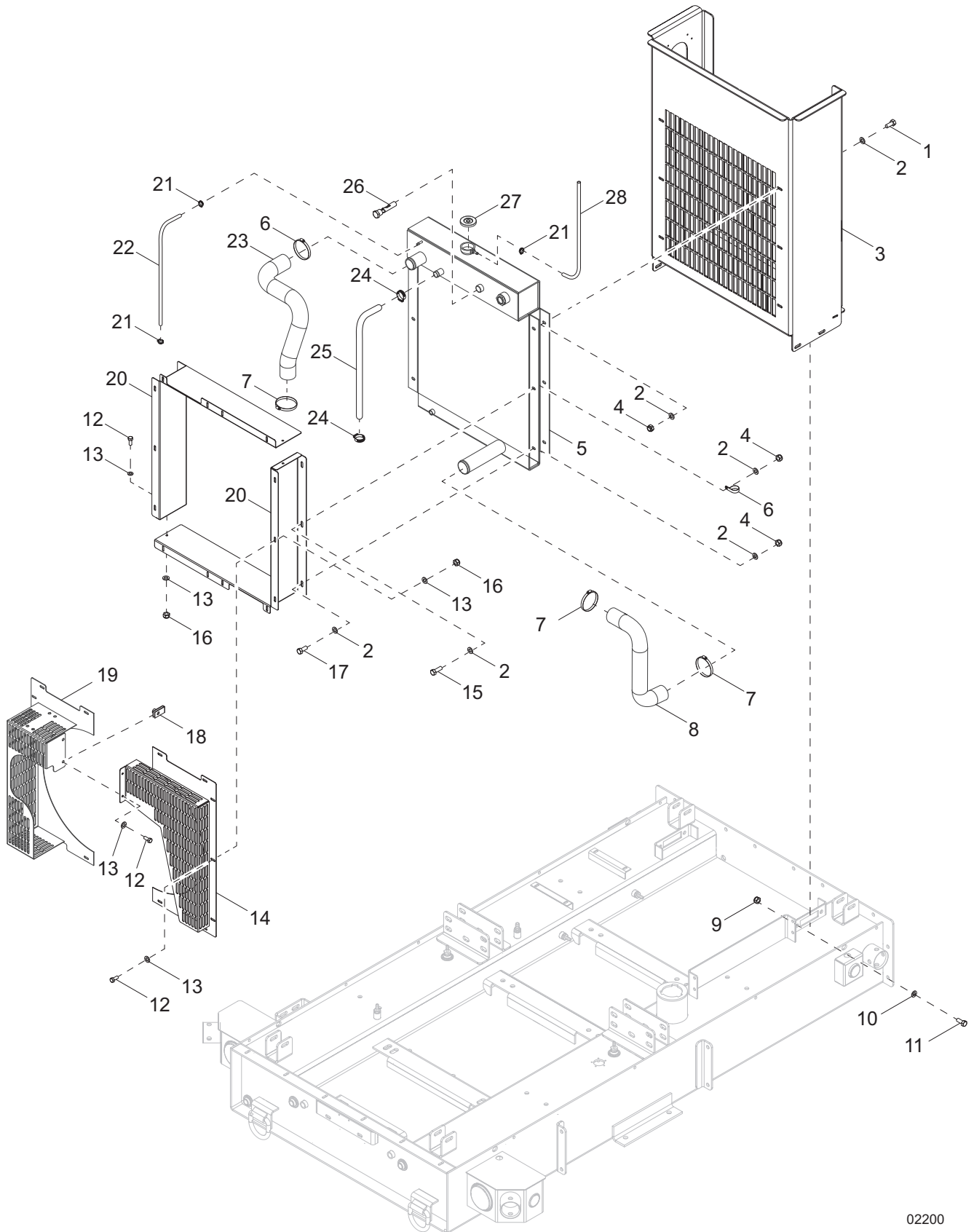


## EXHAUST SYSTEM ASSEMBLY

---

Item	Part No.	Qty	Description	Notes
1	53042	1	Weldment, exhaust pipe	
2	61064	1	Clamp, muffler 3.0 light duty	
3	63248	2	Clamp, V-band - 3.88 ID/.40 SC width	
4	31449	1	DOC, Deutz TD2.9	
5	60256	8	Screw, .312-18 x 1.50 std hex, fully threaded, G5	
6	60119	16	Washer, .312 flat .875/.070	
7	31450	2	Clamp, DOC	
8	31595	1	Weldment, DOC pipe	
9	31547B	1	Weldment, DOC support	
10	31539B	2	Spacer	
11	60152	4	Screw, M10-1.50 x 60 std hex, G8.8	
12	60303	8	Nut, .312-18 nylock, G2	
13	60358	2	Nut, .375-16 nylock, G5	
14	60386	4	Washer, .375 flat .993/.064	
15	31626B	1	Bracket, tail pipe support	
16	60352	2	Screw, .375-16 x 1.250 std hex, G5	
--	26480	1	Sleeve, high temp - 4.0	
--	19336	2	Clamp, hose - SAE44 (2.31-3.25)	

# COOLING SYSTEM ASSEMBLY



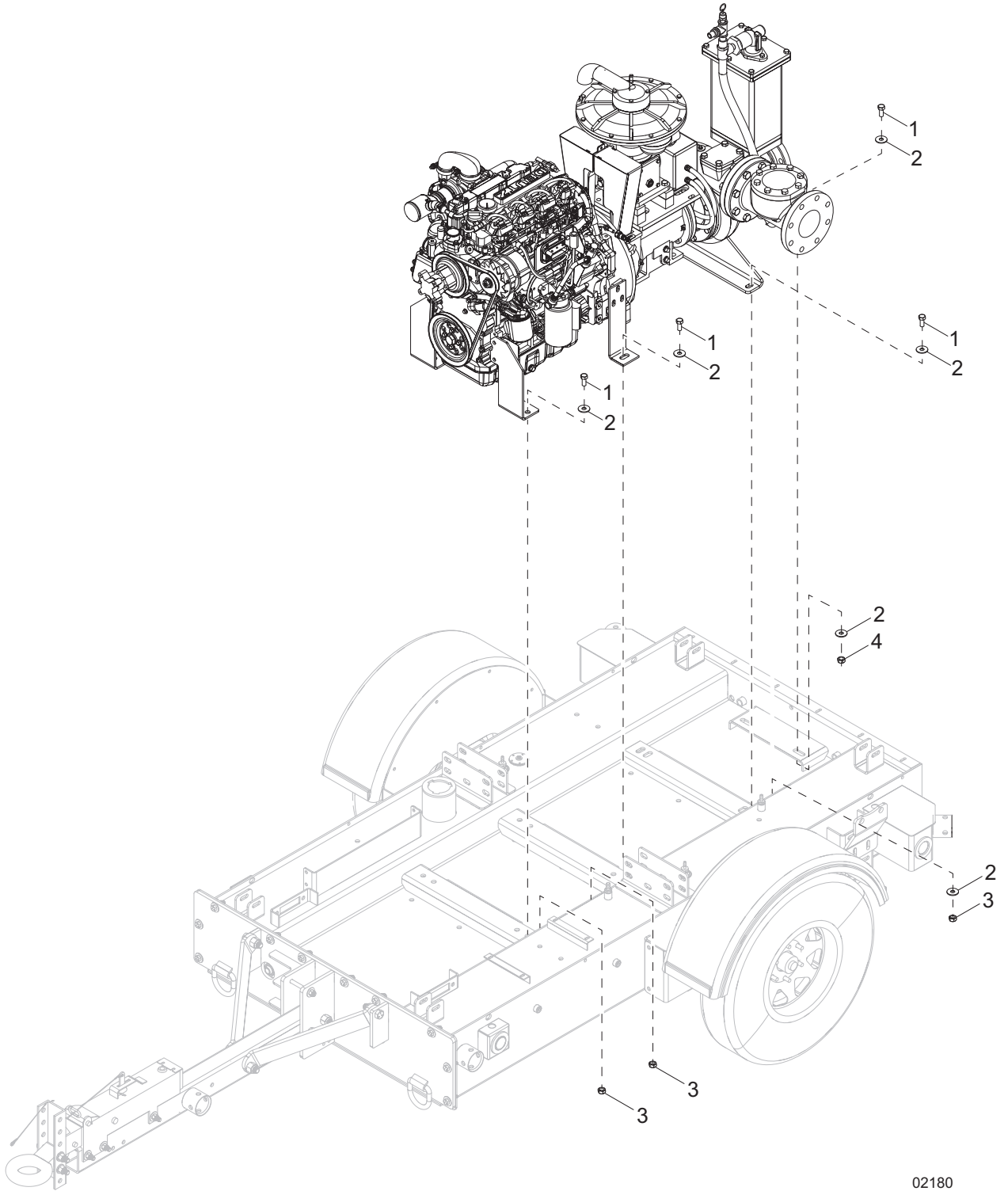
02200

## COOLING SYSTEM ASSEMBLY

---

Item	Part No.	Qty	Description	Notes
1	62001	6	Screw, .312-18 x 1.250 std hex, G5	
2	60119	24	Washer, .312 flat .875/.070	
3	31675B	1	Bracket, radiator support	
4	60303	12	Nut, .312-18 nylock, G2	
5	38321	1	Radiator, w/expansion tank	
6	15627	1	Clamp, tubing - .625 heavy duty	
7	60316	4	Clamp, hose - SAE 032 (1.56-2.50)	
8	31440	1	Hose, radiator - lower	
9	60358	4	Nut, .375-16 nylock, G5	
10	60386	4	Washer, .375 flat .993/.064	
11	60352	8	Screw, .375-16 x 1.250 std hex, G5	
12	60281	18	Screw, .250-20 x .750 std hex, G5	
13	60243	34	Washer, .250 flat .735/.060	
14	31582B	1	Weldment, fan guard - right	
15	60028	1	Screw, .312-18 x 1.00 std hex, G5	
16	60144	16	Nut, .250-20 nylock, G5	
17	61061	5	Screw, .312-18 x .875 std hex, G5	
18	61143	2	Nut, .250-20 U-clip - short type	
19	31581B	1	Weldment, fan guard - left	
20	31561B	2	Shroud, fan	
21	14216	3	Clamp, hose - SAE 004 (.21-.62) mini	
22	50017	1 ft	Hose, fuel - .250 ID, 50 psi, SAE 30R7	
23	31439	1	Hose, radiator - upper	
24	19338	2	Clamp, hose - SAE 016 (.68-1.50)	
25	51019	2 ft	Hose, heater .875 J20R3	
26	68206	1	Sensor, low coolant, wet sinking	
27	39850	1	Cap, radiator	
28	50018	3 ft	Hose, fuel - .312 ID, 50 psi, SAE 30R7	

# ENGINE AND PUMP TO TRAILER ASSEMBLY



02180

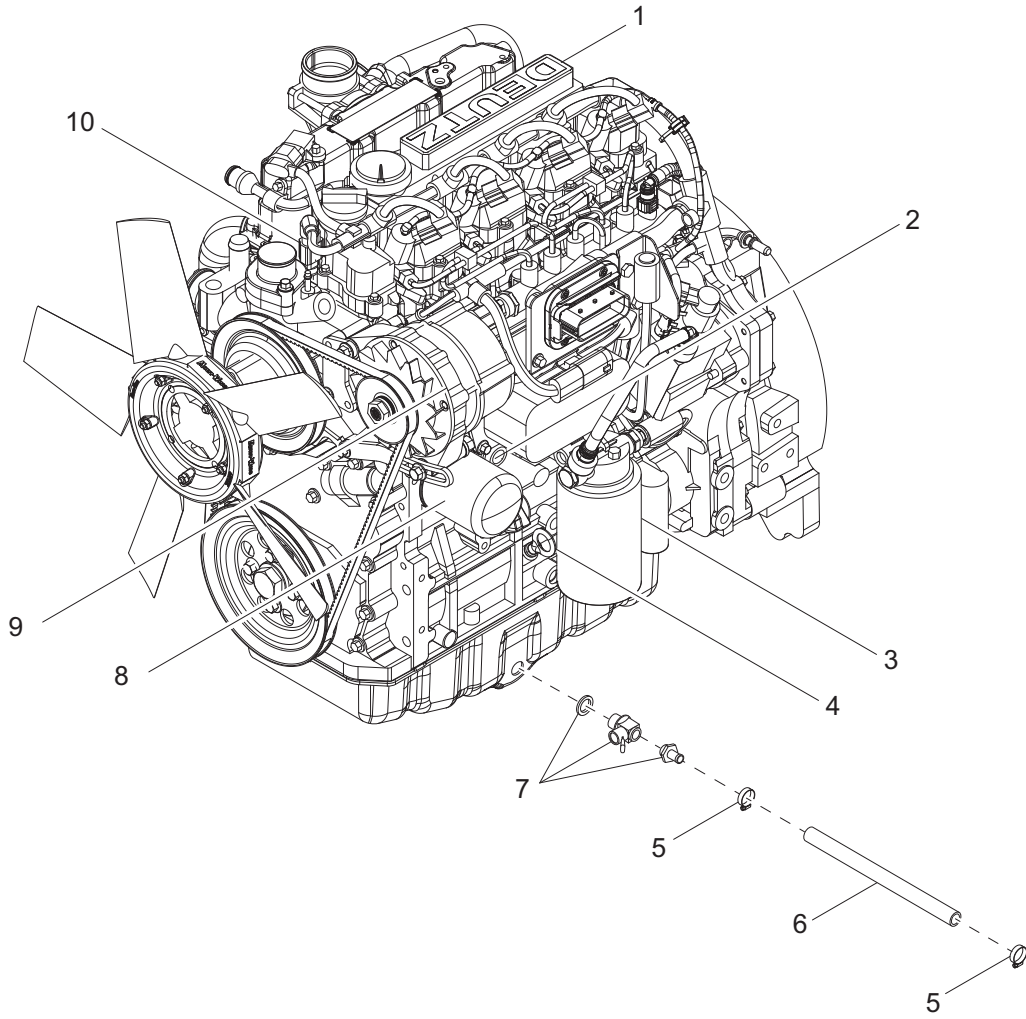
## ENGINE AND PUMP TO TRAILER ASSEMBLY

---

Item	Part No.	Qty	Description	Notes
1	61069	8	Screw, .500-13 x 1.50 std hex, G5	
2	63265	12	Washer, .500 flat 1.060/.090	
3	60240	8	Nut, .625-11 nylock, G5	

# ENGINE ASSEMBLY - LEFT SIDE

---



02197

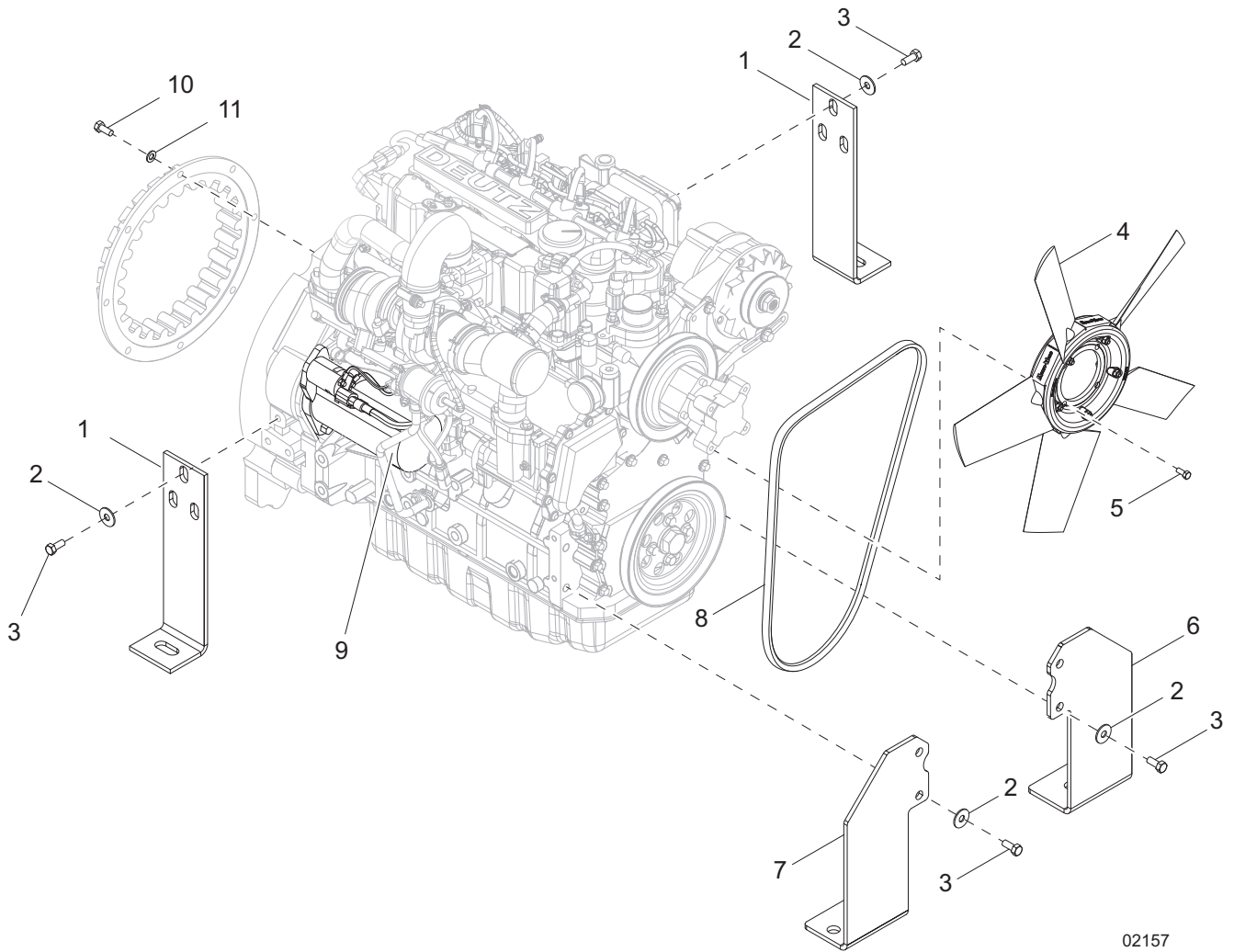
## ENGINE ASSEMBLY - LEFT SIDE

---

Item	Part No.	Qty	Description	Notes
1	31381	1	Engine, Deutz TD2.9 - T4F 66hp, variable speed	
2	52223	1	Sensor, oil pressure	
3	52217	1	Filter, fuel	
4	52215	1	Dipstick, oil	
5	14216	2	Clamp, hose - SAE 004 (.21-.62) mini	
6	50051	2 ft	Hose, fuel - .375 ID, 50 psi, SAE 30R7	
7	60766	1	Valve, drain 18mm-1.5 w/nipple	
8	52212	1	Filter, oil	
9	52214	1	Alternator	
10	52221	1	Sensor, temperature	

**Note:** Engine and pump parts used in all Generac Mobile Products, LLC equipment carry the Original Equipment Manufacturer (OEM) warranty unless otherwise stated. OEM warranty parts must be purchased through an OEM dealer. Please contact Generac Mobile Products, LLC with questions

# ENGINE ASSEMBLY - RIGHT SIDE



02157



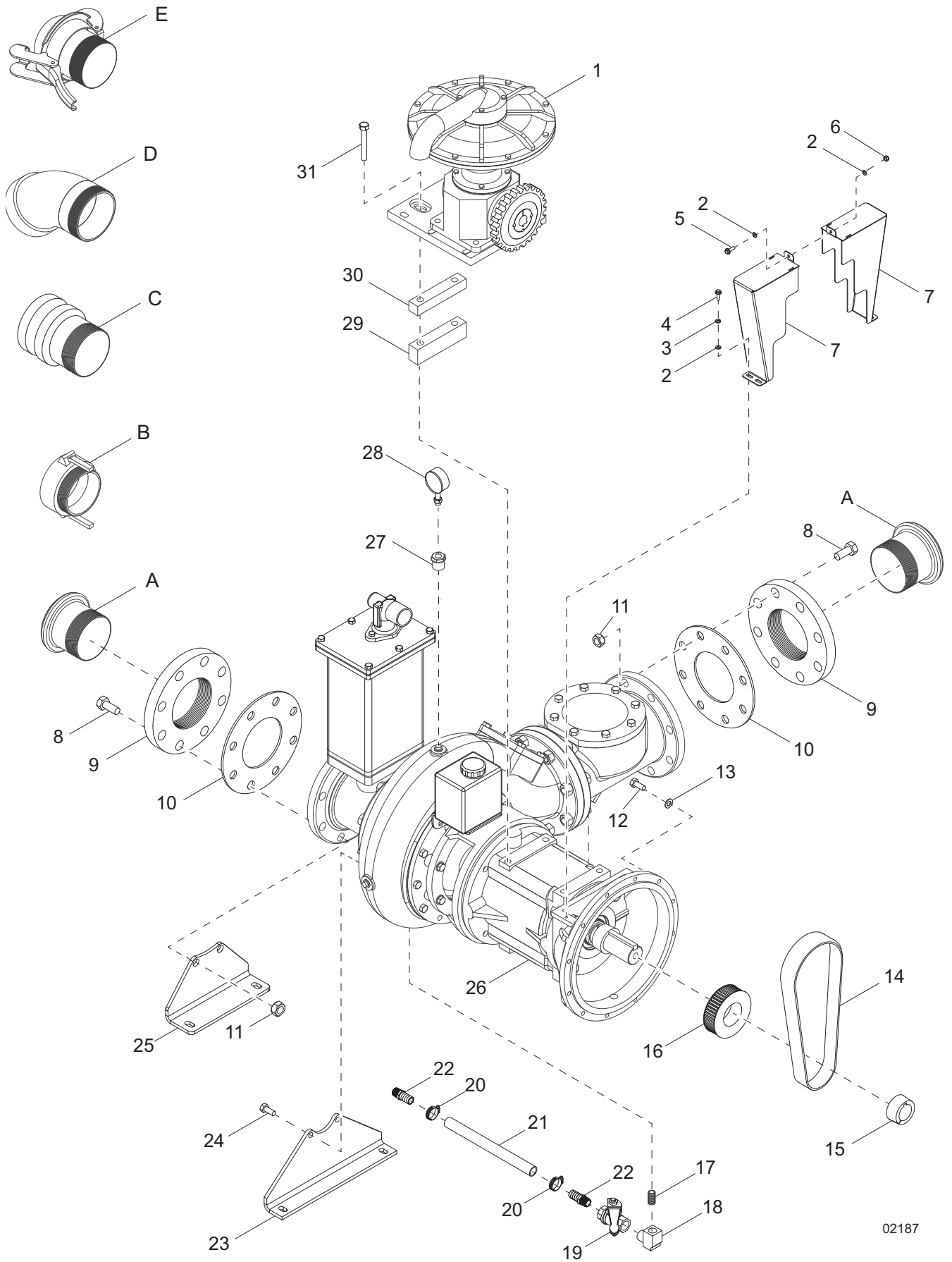
## ENGINE ASSEMBLY - RIGHT SIDE

---

Item	Part No.	Qty	Description	Notes
1	31674B	2	Bracket, engine mount - bell housing	
2	60012	10	Washer, M12 flat	
3	62277	10	Screw, M12-1.75 x 25 std hex, G10.9	
4	31410	1	Fan, pusher - 20.0 CW	
5	61204	4	Screw, M8-1.25 x 20 std hex, G10.9	
6	31667B	1	Weldment, engine mount, left	
7	31668B	1	Weldment, engine mount, right	
8	52213	1	Belt, fan	
9	52219	1	Starter	
10	63338	8	Screw, M10 - 1.50 x 20 hex, G10.9	
11	60027	8	Washer, M10 flat	

**Note:** Engine and pump parts used in all Generac Mobile Products, LLC equipment carry the Original Equipment Manufacturer (OEM) warranty unless otherwise stated. OEM warranty parts must be purchased through an OEM dealer. Please contact Generac Mobile Products, LLC with questions.

# EXTERNAL PUMP ASSEMBLY



02187

## EXTERNAL PUMP ASSEMBLY

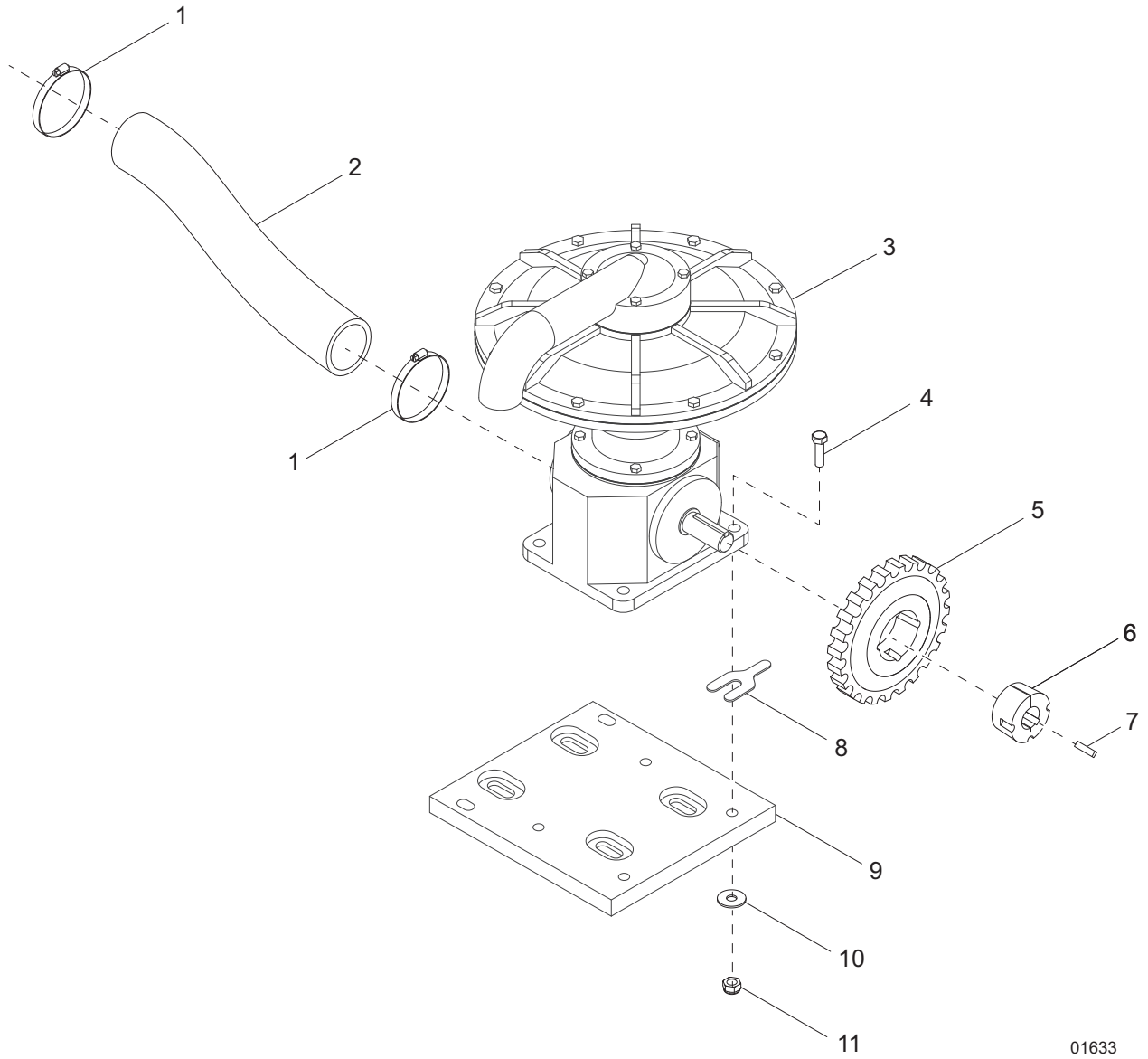
Item	Part No.	Qty	Description	Notes
1	31612B	1	Kit, Cornell Redi-Prime - 6NNT	
2	60243	6	Washer, .250 flat .735/.060	
3	60286	4	Washer, .250 split lock	
4	60175	4	Screw, .250-20 x .500 sflg hex, G5	
5	60523	1	Screw, .250-20 x .875 sflg hex	
6	60144	1	Nut, .250-20 nylock, G5	
7	31608B	2	Guard, belt	
8	61076	16	Screw, .750-10 x 3.0 std hex, G5	
9	41306B	2	Flange, 6.00NPT female, ANSI 150 lb	
10	41061	2	Gasket, pump flange - 6.0	
11	61077	16	Nut, .750-10 jam, G2 thin	
12	60055	12	Screw, M10 - 1.50 x 35 std hex, G10.9	
13	60027	12	Washer, M10 flat	
14	63379	1	Belt, pump	Included with item 1
15	63381	1	Bushing, taper lock - 2012 x 1.75 bore	Included with item 1
16	63376	1	Pulley, driver - 48 tooth	Included with item 1
17	60438	1	Fitting, pipe nipple - .500NPT x close	
18	60998	1	Fitting, 90° - .500MNPT x .500FNPT brass	
19	19279	1	Valve, ball .500FNPT, mini	
20	60365	2	Clamp, hose - SAE 010 (.56-1.06)	
21	42634	2.0 ft	Hose, .750ID - rubber	
22	60437	2	Fitting, strt - .500NPT x .750 barb, brass	
23	31678B	1	Bracket, pump inlet spool support	
24	63186	2	Screw, .500-13 x 1.250 std hex, G5	
25	53233B	1	Bracket, pump inlet spool support	
26	30281B	1	Pump, trash - 6.00 dry prime, Cornell 10.0 dia	
27	19401	1	Fitting, strt - .500MNPT x .250FNPT	
28	49420	1	Gauge, vacuum 0-30 HG, 2.50 dial, .25NPT	
29	31661B	2	Spacer, large	Included with item 1
30	31662B	2	Spacer, small	Included with item 1
31	62103	4	Screw, .500-13 x 2.250 hex, G5	Included with item 1

### OPTIONAL FEATURES

#### *Inlet and Outlet Fittings:*

A	41327	2	Socket, 6.0 x 6.0MNTP
B	41329	1	Coupler, cam and groove - 6.0FNPT x 6.0MNPT
C	41587	1	Coupler, cam and groove - 6.0 male x 6.0NPT
D	41556B	1	Weldment, pump fitting - 6.0NPT, 45°
E	41325	1	Ring, ball and lock, 6.0 x 6.0MNTP

# VACUUM PUMP ASSEMBLY



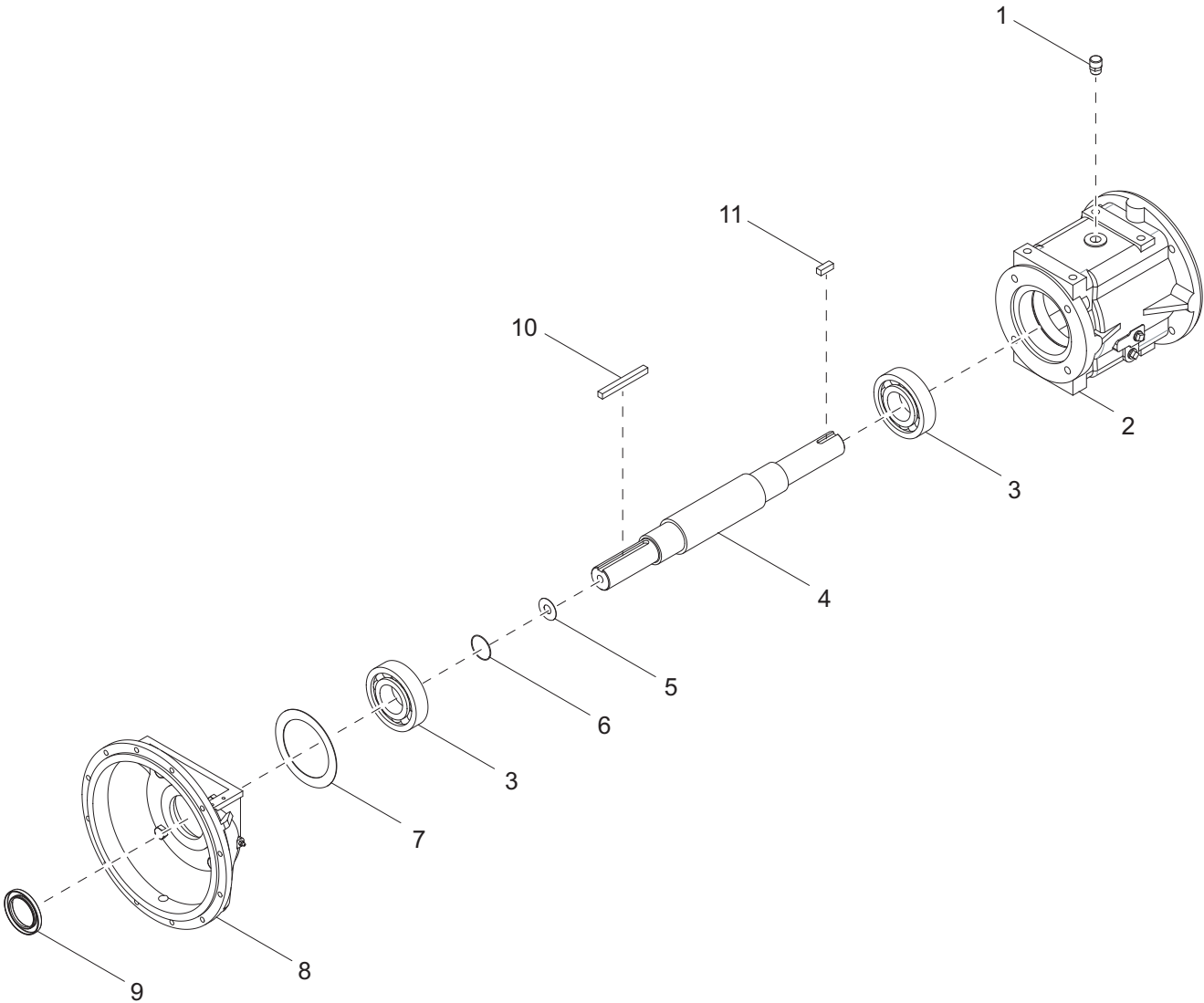
01633

## VACUUM PUMP ASSEMBLY

---

Item	Part No.	Qty	Description	Notes
1	60316	2	Clamp, hose	
2	40253	1	Hose, priming chamber	
3	31613B	1	Vacuum pump	
4	63202	4	Capscrew	
5	63375	1	Pulley	
6	63377	1	Bushing, taper lock	
7	63380	1	Key	
8	63257	4	Shim, .0156 in	
--	63183	4	Shim, .0312 in	
--	63258	4	Shim, .0625 in	
9	31659B	1	Table, pump support	
10	60243	4	Washer	
11	60668	4	Nut	
--	63372	1	Assembly, vacuum pump	

# BEARING FRAME ASSEMBLY



01381

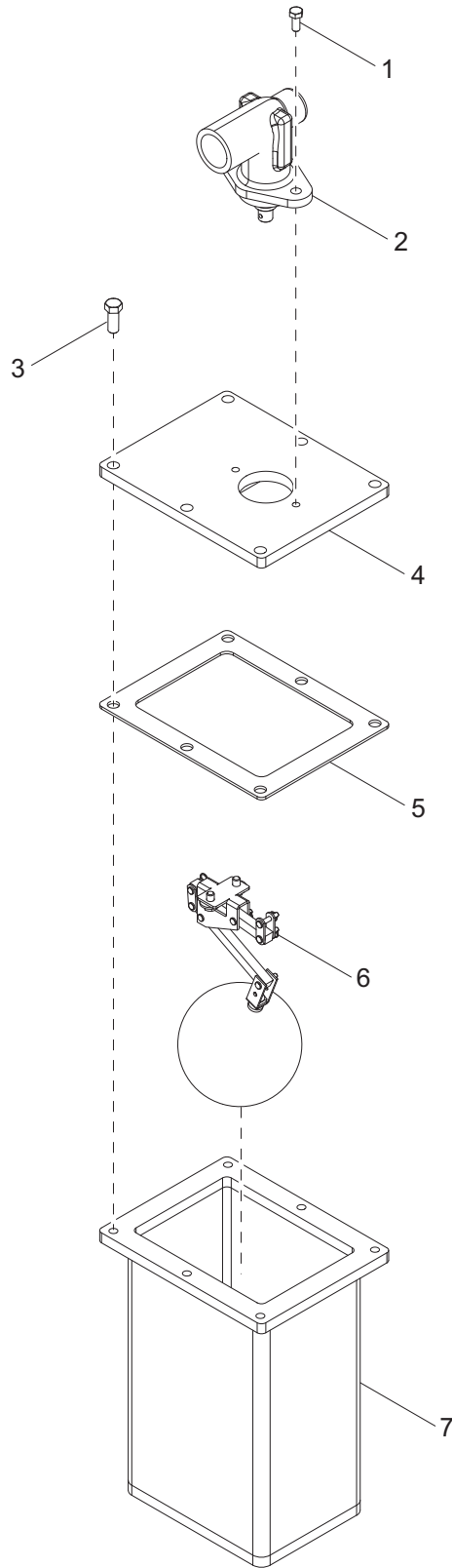
## BEARING FRAME ASSEMBLY

---

Item	Part No.	Qty	Description	Notes
1	52034	1	Breather, .500NPT	
2	52130	1	Frame, pump	
3	52134	2	Bearing, 16B	
4	52133	1	Shaft, 6NNT	
5	52118	1	Shim, .005	
6	52124	1	O-ring, 2.00 x 2.19 x .090	
7	52142	1	Shim, .005	as needed
--	52041	1	Shim, .010	as needed
8	52043	1	Bracket, engine	
9	52139	1	Seal, lip	
10	52146	1	Key, drive end .500 x 4.00	
11	52117	1	Key, impeller .500 x 1.38	

# PRIMING CHAMBER ASSEMBLY

---



01637

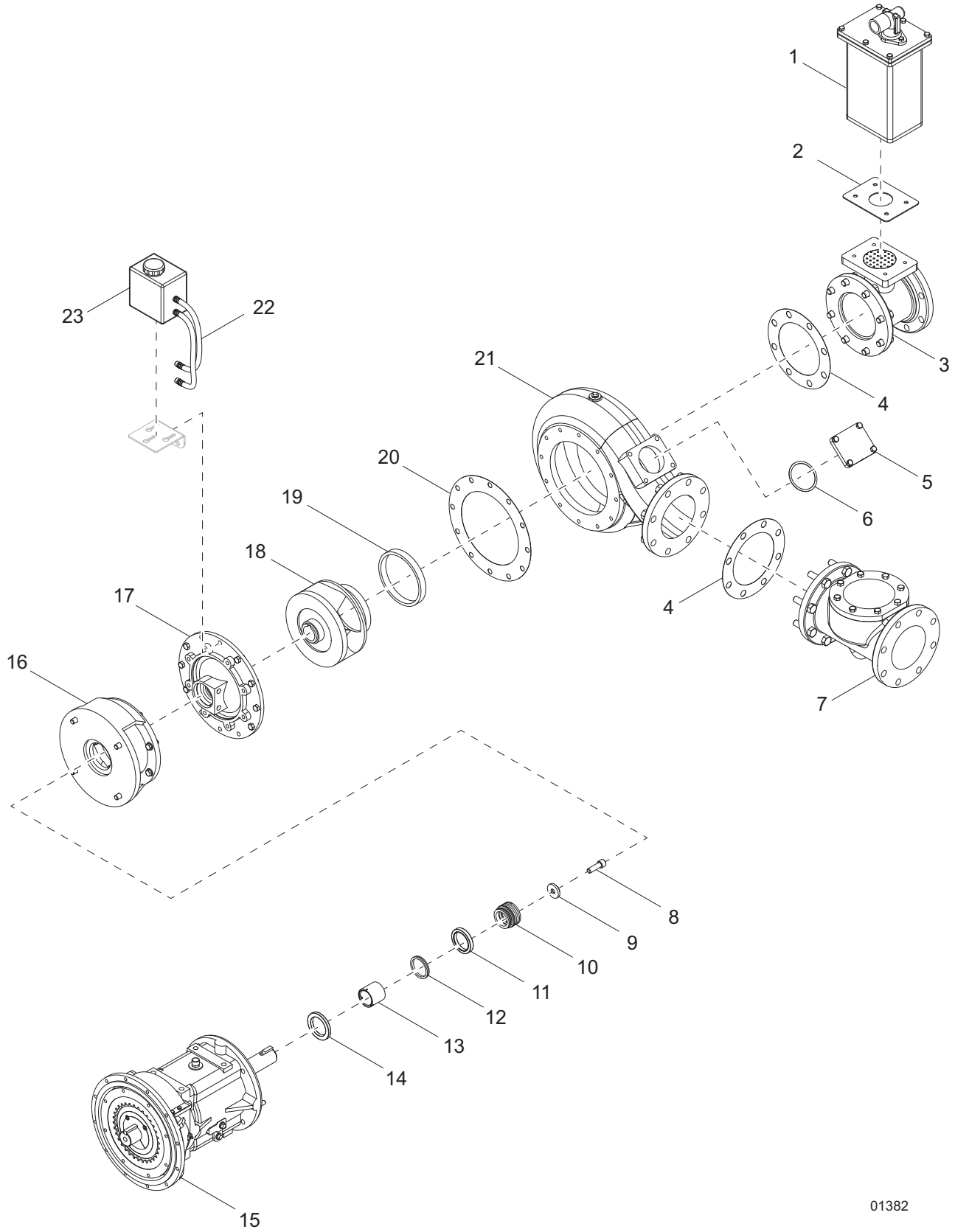


## PRIMING CHAMBER ASSEMBLY

---

Item	Part No.	Qty	Description	Notes
1	52167	2	Capscrew, hex .31NC x .50	
2	31656	1	Valve, priming chamber	
3	52178	6	Screw, .440 x 1.25 std hex, SS	
4	52163	1	Cover, priming chamber	
5	52177	1	Gasket, priming chamber - upper	
6	52165	1	Assembly, float linkage	
7	52180B	1	Priming chamber	
--	52162	1	Assembly, priming chamber	

# INTERNAL PUMP ASSEMBLY



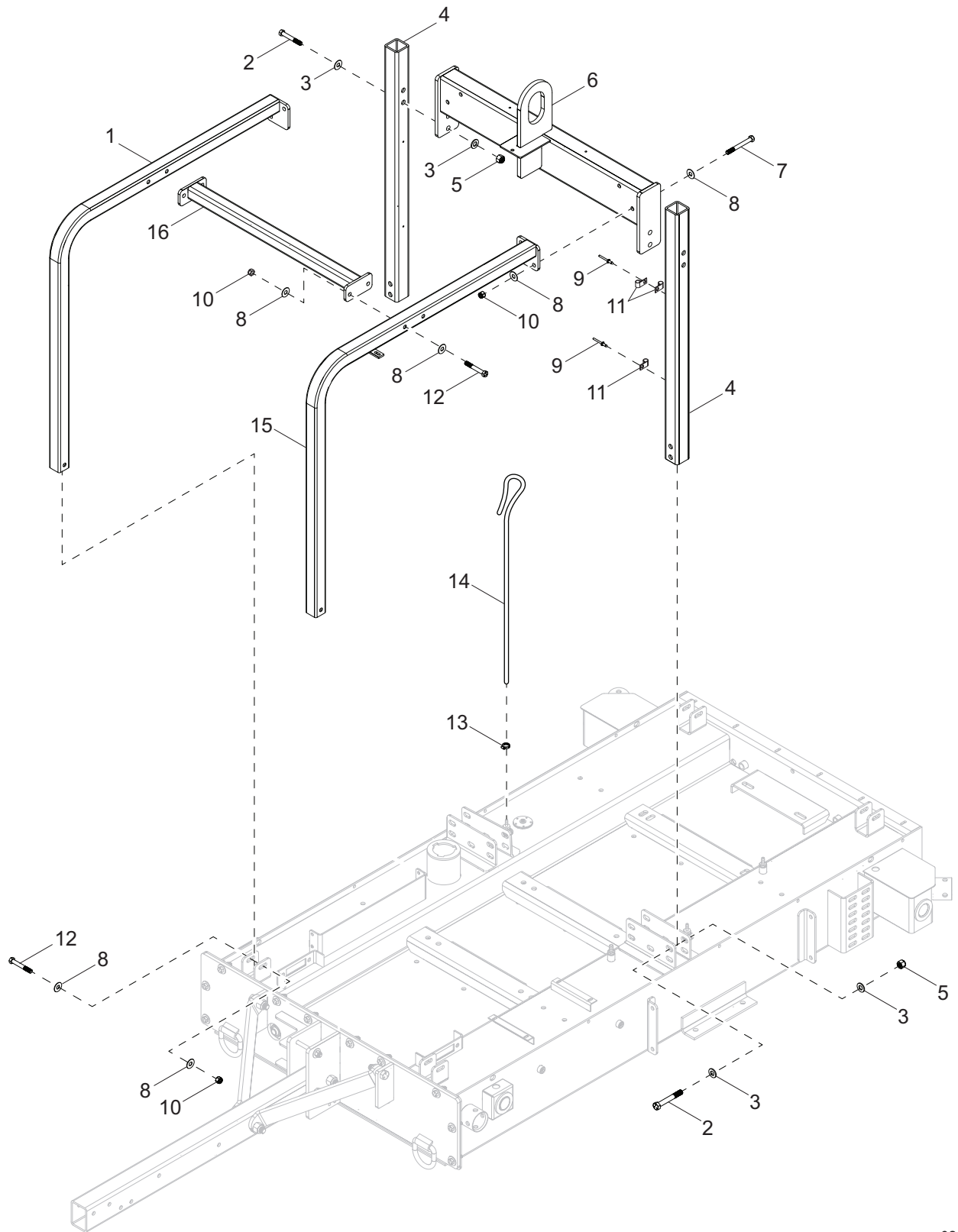
01382

## INTERNAL PUMP ASSEMBLY

---

Item	Part No.	Qty	Description	Notes
1	<a href="#">Page 26</a>	1	Assembly, priming chamber	
2	52077	1	Gasket, priming chamber - lower	
3	52196	1	Spool, 6.0 x 6.0 fabricated	
4	52197	2	Gasket, 6.0 in - full face	
5	52111	1	Cover, clean out	
6	52018	1	Deflector	
7	52199	1	Valve, 6.0 x 6.0	
8	52116	1	Lock screw, .62NC x 2.0, socket head	
9	52115	1	Washer, impeller	
10	52126	1	Seal, 2002S RP	
11	52127	1	Seal, lip - 2.50 x 3.375	
12	52128	1	V-ring	
13	52123	1	Sleeve, 2.50 x 2.0 x 2.25 chrome	
14	52139	1	Seal, lip	
15	<a href="#">Page 24</a>	1	Assembly, bearing frame	
16	52135	1	Bracket, 8B4	
17	52119	1	Backplate	
18	52114	1	Impeller, 6NNT - 1.94 in blind bore	
19	52107	1	Ring, wear 7.50 x 6.75 x .88 open	
20	52109	1	Gasket, volute	
21	52108	1	Volute, 6NNT w/clean out	
22	52159	2	Hose, .38 ID	
23	52049	1	Reservoir, oil w/cap - run-dry	

# LIFT SUPPORT ASSEMBLY



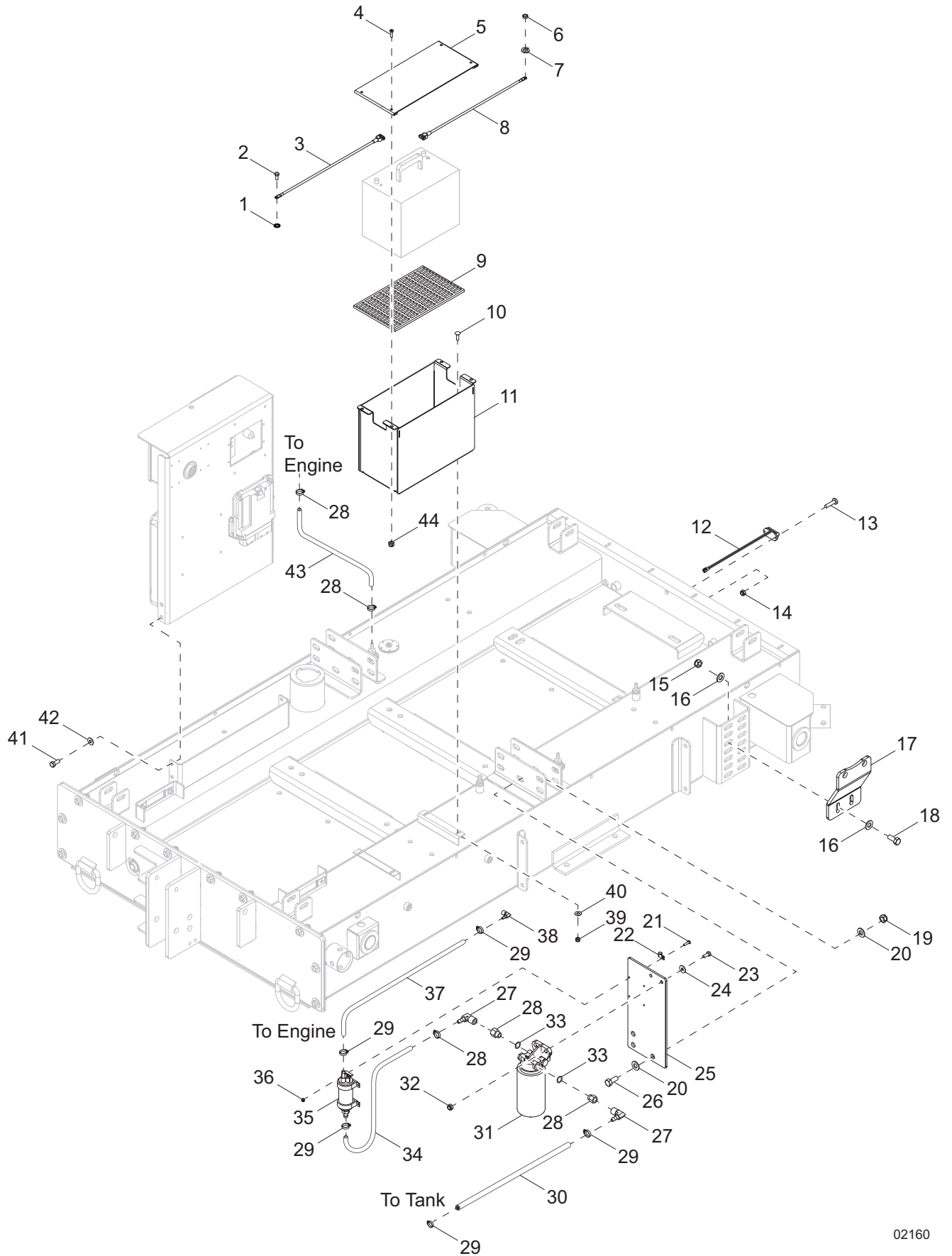
02159

## LIFT SUPPORT ASSEMBLY

---

Item	Part No.	Qty	Description	Notes
1	31688B	1	Weldment, radiator guard RH	
2	42775	8	Screw, .625-11 x 4.50 hex, G5	
3	63265	16	Washer, .625 flat 1.312/.07-.13	
4	31682B	2	Tube, lift	
5	60240	4	Nut, .625-11 nylock, G5	
6	31686B	1	Weldment, lift support	
7	60376	4	Screw, .500-13 x 4.50 hex, G5	
8	60309	20	Washer, .500 flat 1.060/.090	
9	60195	4	Rivet, .188 dia. x .375 to .500 grip	
10	62221	10	Nut, .500-13 nylock, G5	
11	15627	6	Clamp, tubing - .625 heavy duty	
12	60390	6	Screw, .500-13 x 3.50 hex, G5	
13	14216	2	Clamp, hose - SAE 004 (.21-.62) mini	
14	50343	3.16 ft	Hose, .312ID x .562OD, 60PSI	
15	36322B	1	Weldment, radiator guard LH	
16	31690B	1	Weldment, radiator guard, front	

# FUEL TANK / TRAILER ASSEMBLY (3 OF 3)

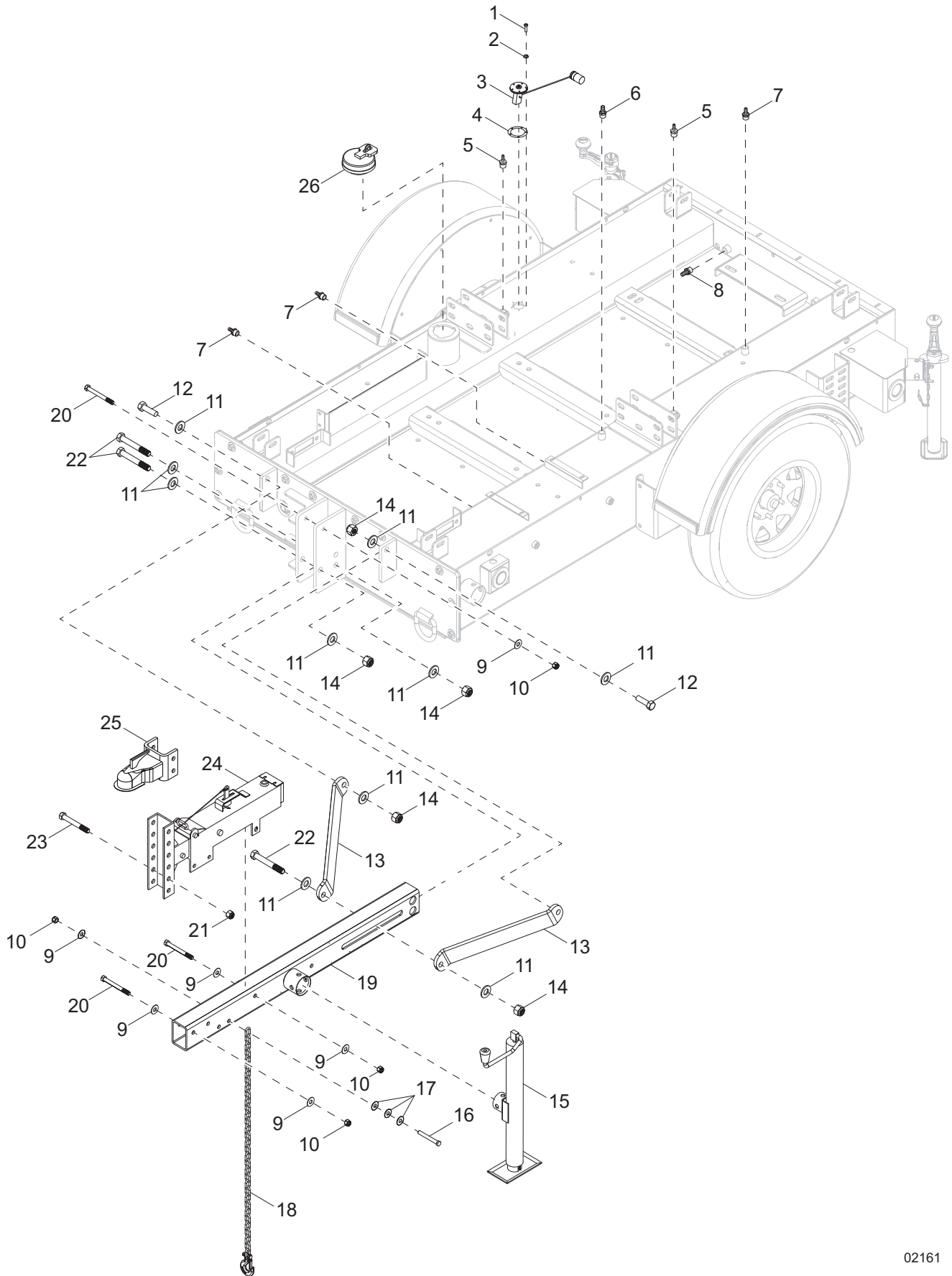


02160

## FUEL TANK / TRAILER ASSEMBLY (3 OF 3)

Item	Part No.	Qty	Description	Notes
1	60369	1	Washer, M12 external star	
2	60019	1	Screw, M12-1.75 x 20 sflg hex, G8.8	
3	31625	1	Cable, battery - 46.0 in, 2GA black post/.500 lug	
4	60393	4	Screw, .250-20 x 1.0 hex, G5	
5	52976B	1	Cover, battery box	
6	60032	1	Nut, M8-1.25 hex, G8.8	
7	60271	1	Washer, .312 split lock	
8	24777	1	Cable, batter - 54.0 in, 2GA red w/lead -.375 lug	
9	41185	1	Pad, battery - 6.0 x 10.0 black	
10	61066	4	Screw, .312-18 x 1.0 carriage, SS	
11	52975B	1	Box, battery	
12	36879	1	Light, license plate	
13	60244	2	Screw, 8-32 x .750 pan phil, G2	
14	60270	2	Nut, 8-32 nylock, G6	
15	62221	2	Nut, .500-13 x 1.50 hex, G5	
16	60309	4	Washer, .500 flat 1.060/.090	
17	31680B	1	Bracket, volute support	
18	60484	2	Screw, .500-13 x 2.0 hex, G5	
19	60240	3	Nut, .625-11 nylock, G5	
20	63265	6	Washer, .625 flat 1.312/.07-.13	
21	60397	4	Screw, 10-32 x 1.0 pan phil, G2	
22	60649	1	Clamp, tubing .750 heavy duty	
23	60139	2	Screw, .375-16 nylock, G5	
24	60698	2	Washer, .375 flat .875/.040, SS	
25	52960B	1	Bracket, fuel filter/pump	
26	61069	3	Screw, .625-11 x 1.750 hex, G5	
27	62108	2	Fitting, 90° - .375MNPT x .375 barb, brass	
28	33146	2	Fitting, strt - .375FNPT x M16-1.5 male	
29	19453	8	Clamp, hose - SAE006 (.37-.87)	
30	51022	3.1 ft	Hose, fuel - .500ID, 125 PSI	
31	52217	1	Pre-filter, fuel	
32	60358	2	Nut, .375-16 nylock, G5	
33	63233	2	Seal, M16	
34	51022	1.5 ft	Hose, fuel - .500 ID, 125 PSI	
35	31451	1	Pump, fuel	
36	60061	4	Nut, 10-32 nylock	
37	51021	1.5	Hose, fuel - .375 ID, 125 PSI	
38	62145	1	Fitting, 90° - .375MNPT x .375 barb, brass	
39	60303	4	Nut, .312-18 nylock, G2	
40	60119	4	Washer, .312 flat .875/.070	
41	60205	4	Screw, .375-16 x 1.0 hex, G5	
42	60386	4	Washer, .375 flat .993/.064	
43	51021	3.2 ft	Hose, fuel - .375 ID, 125 PSI	
44	60144	4	Nut, .250-20 nylock, G5	

# FUEL TANK / TRAILER ASSEMBLY (2 OF 3)



02161

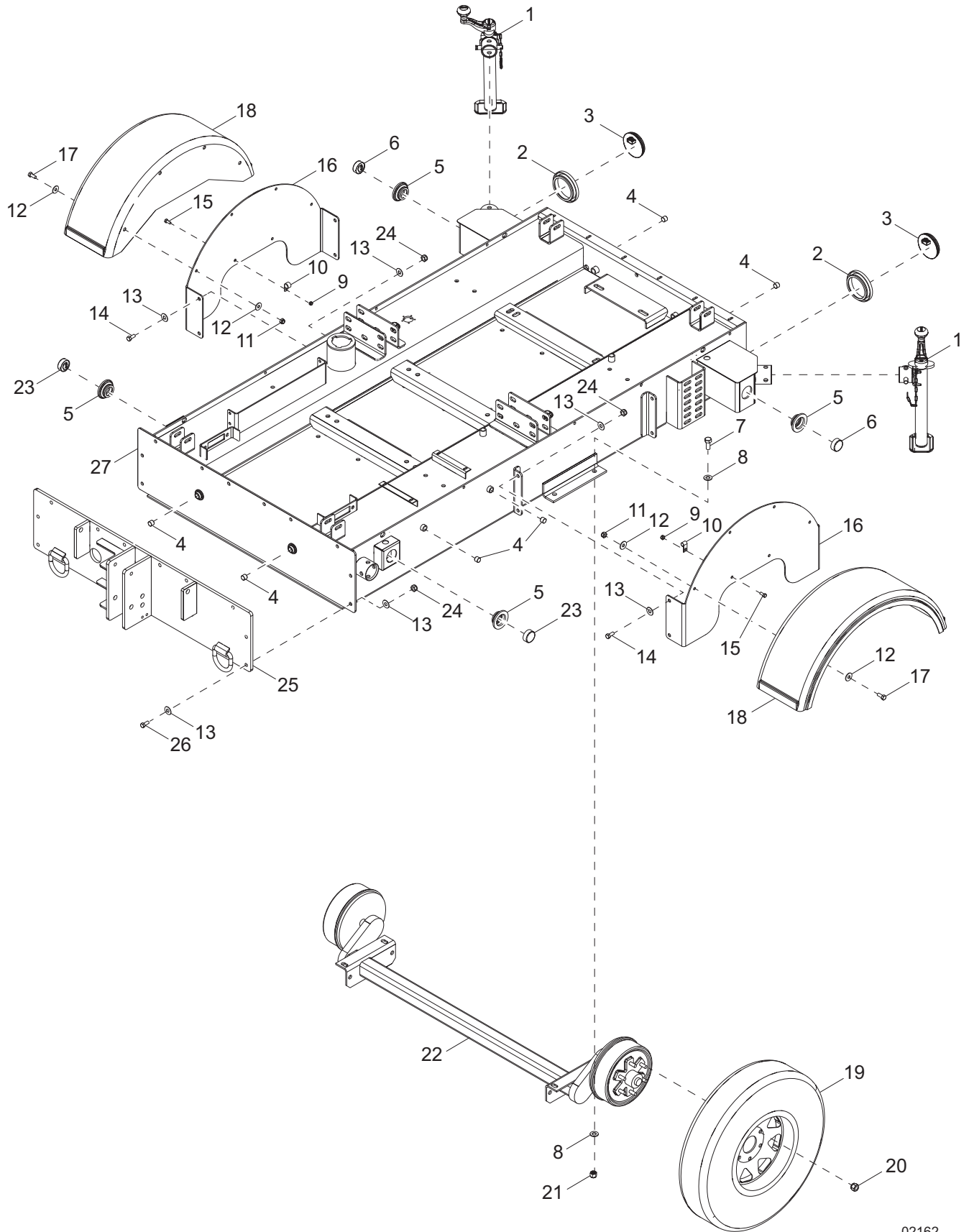


## FUEL TANK / TRAILER ASSEMBLY (2 OF 3)

---

Item	Part No.	Qty	Description	Notes
1	60156	5	Screw, M5-0.80 x 16 pan phil, G4.8	
2	60252	5	Washer, #10 split lock	
3	20571	1	Sender, fuel - 10-15 in tank	
4	22323	1	Gasket, fuel sending unit	
5	60999	2	Fitting, strt - .500MNPT x .312 barb, brass	
6	40728	1	Fitting, strt - .500MNPT x .500 barb, brass	
7	23816	3	Fitting, strt - .500MNPT x .375 barb, brass	
8	60502	2	Fitting, strt - .500MNPT x .625 barb, brass	
9	60309	26	Washer, .500 flat 1.060/.090	
10	62221	12	Nut, .500-13 nylock, G5	
11	60527	12	Washer, .750 flat 1.50/.125	
12	60846	2	Screw, .750-10 x 2.50 hex, G5	
13	31524B	2	Support, tongue	
14	60584	6	Nut, .750-10 nylock, G5	
15	13051	1	Assembly, 2000 lb top wind jack - tube mount	
16	60376	2	Screw, .500-13 x 4.50 hex, G5	
17	60416	10	Washer, .500 flat 1.375/.090, SS	
18	23367	2	Chain, safety - 7,800 lbs rated	
19	53545B	1	Weldment, tongue	
20	61099	3	Screw, .500-15 x 5.0 hex, G8	
21	60240	2	Nut, .625-11 nylock, G5	
22	53157	4	Screw, .750-10 x 5.0 hex, G8	
23	60239	2	Screw, .625-11 x 5.0 std hex, G5	
24	40529	1	Actuator, hydraulic surge brake	
25	19518	1	Coupler, 2.0 ball	
26	23707	1	Cap, fuel	

# FUEL TANK / TRAILER ASSEMBLY (1 OF 3)



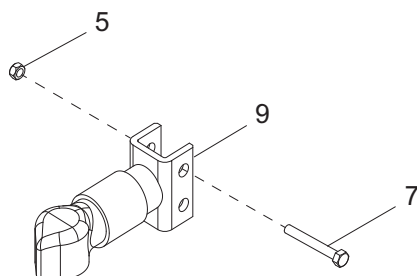
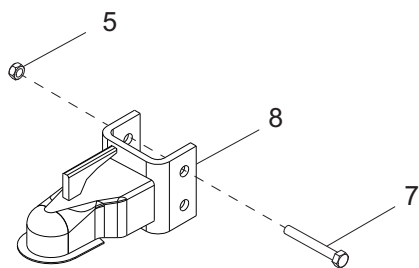
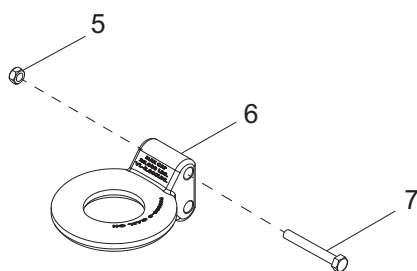
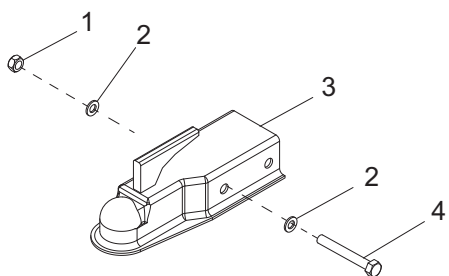
02162

## FUEL TANK / TRAILER ASSEMBLY (1 OF 3)

Item	Part No.	Qty	Description	Notes
1	72126	2	Jack, top wind, 1200 lb - tube mount, long foot	
2	10221	2	Grommet, rear light 4.50 - rubber	
3	66701	2	Light, stop/tail/turn, RD4.0 - LED, 12V	
4	18394	6	Fitting, plug - .500NPT x internal hex, steel	
5	66394	4	Grommet, sealed beam light 2.0 - rubber	
6	66703	2	Light, clearance 2.0, red - LED	
7	61069	4	Screw, .625-11 x 1.750 hex, G5	
8	60180	8	Washer, .625 flat 1.750/.10-.16, USS	
9	60144	4	Nut, .250-20 nylock, G5	
10	15626	4	Clamp, tubing - .375 light duty	
11	60358	8	Nut, .375-16 nylock, G5	
12	60386	16	Washer, .375 flat .993/.064	
13	60309	36	Washer, .500 flat 1.060/.090	
14	60388	8	Screw, .500-13 x 1.50 hex, G5	
15	60684	4	Screw, .250-20 x .875 hex, SS	
16	52951B	2	Bracket, fender mounting	
17	60352	8	Screw, .375-16 x 1.250 hex, G5	
18	11381	2	Fender, plastic	
19	18377B	2	Wheel, ST225/75R15, 2540 lb - load D, black	
20	60096	12	Nut, .500-20 lug, G5	
21	60240	4	Nut, .625-11 nylock, G5	
22	31428	1	Axle, 6000 lb Torflex - hydraulic brake	
23	66702	2	Light, clearance 2.0, amber - LED	
24	62221	18	Nut, .500-13 x 1.50 hex, G5	
25	31695B	1	Weldment, tongue support	
26	60484	10	Screw, .500-13 x 2.0 hex, G5	
27	31670B	1	Weldment, chassis/fuel tank	
--	54017	1	Harness, trailer lights	
--	60281	1	Screw, .250-20 x .750 hex, G5	use with 54017
--	60144	1	Nut, .250-20 nylock, G5	use with 54017
--	60747	1	Washer .375 internal star	use with 54017
--	65465	1	Adapter, trailer wiring, flat 4 to round 7 blade	
--	67856	1	Harness, trailer extension assembly	

# TRAILER HITCH OPTIONS

---



02163

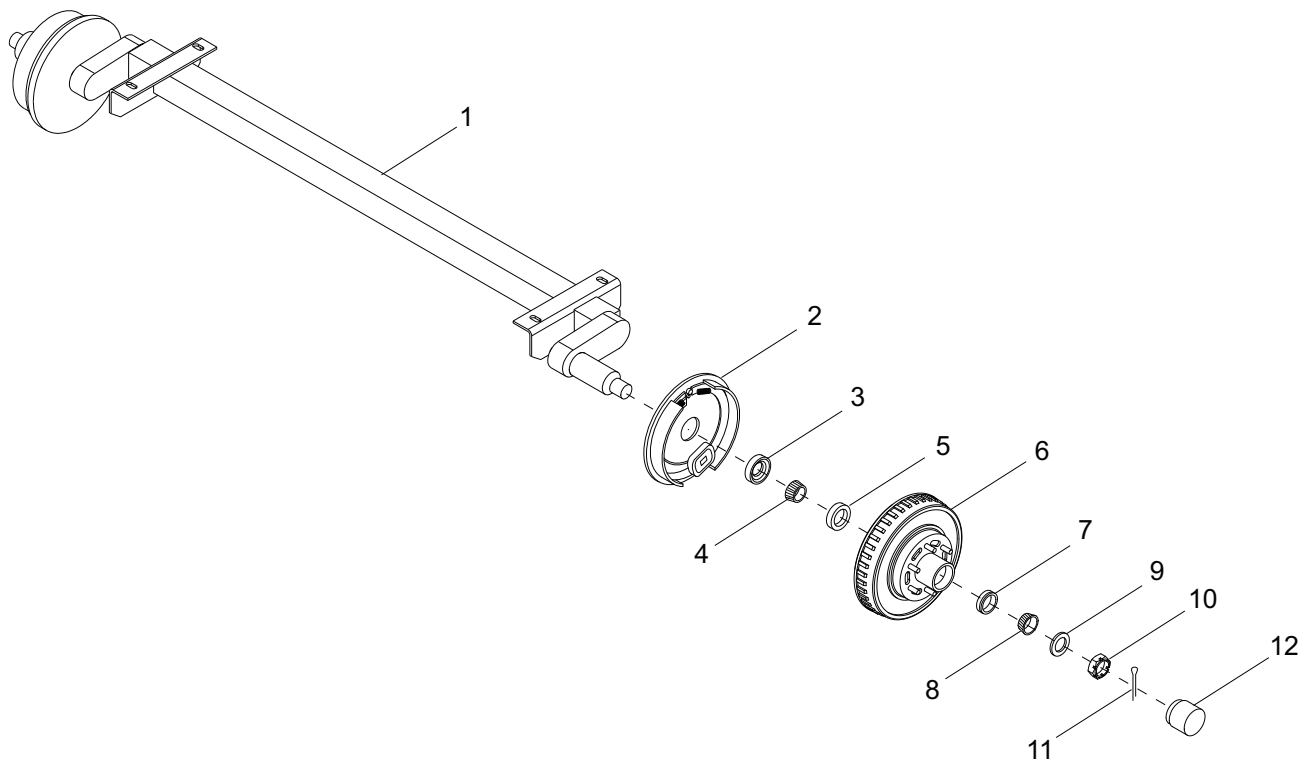
## TRAILER HITCH OPTIONS

---

Item	Part No.	Qty	Description	Notes
1	62221	3	Nut, .500-13 nylock, G5	
2	60309	6	Washer, .500 flat 1.060/.090	
3	23162	1	Coupler, 2.0 ball/3.0 channel - 5000 lb	
4	61099	3	Screw, .500-13 x 5.0 std hex, G8	
5	60240	2	Nut, .625-11 nylock, G5	
6	19335B	1	Coupler, lunette ring - 3.0 ID	
7	60239	2	Screw, .625-11 x 5.0 std hex, G5	
8	19519	1	Coupler, 2.31 ball	
9	41795	1	Coupler, 2.31 ball - 12500 lb, Bulldog	
--	65593	1	Adapter, trailer - 4 pin and 2 pin to 6 pin	Electric Brake
--	65583	1	Adapter, trailer - round 6 pin to round 7 spade	Electric Brake
--	65463	1	Adapter, trailer - flat 4 pin to round 6 pin	Surge Brake
--	65464	1	Adapter, trailer - flat 4 pin to round 7 pin	Surge Brake
--	65465	1	Adapter, trailer - flat 4 pin to round 7 spade	Surge Brake

# AXLE ASSEMBLY

---



00259

## AXLE ASSEMBLY

---

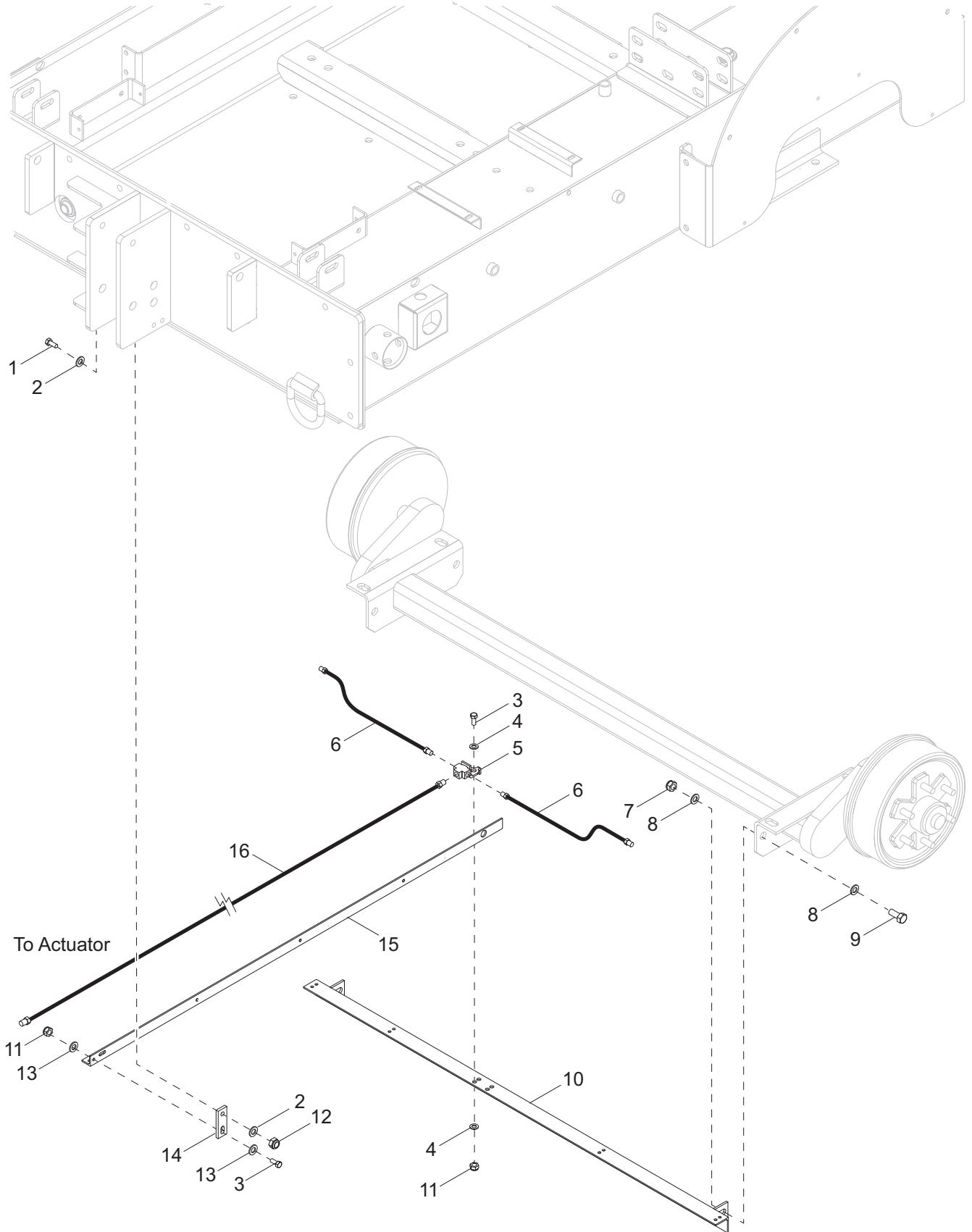
Item	Part No.	Qty	Description	Notes
1	31428	1	Axle, 6000 lb. - Torflex	Hydraulic
2	26571	1	Surge free-backing brake - left	
	26572	1	Surge free-backing brake - right	
3	26575	2	Inner grease seal 2.125 in	
4	26576	2	Inner hub bearing	
5	26577	2	Inner bearing cup	
6	22387	2	Drum, large trailer brake	6000 lb axle
7	26584	2	Outer bearing cup	
8	26585	2	Outer hub bearing	
9	26581	2	Spindle washer	
10	12308	2	Spindle nut	
11	26583	2	Spindle nut - cotter pin	
12	26586	2	Dust cap	

### OPTIONAL FEATURES

#### *Axle - Electric Brake:*

--	54304	1	Axle, 6000 lb. - Torflex	Electric
--	26573	1	Assembly, electric brake - left	

# TRAILER BRAKE LINES



02164



## TRAILER BRAKE LINES

---

Item	Part No.	Qty	Description	Notes
1	60831	1	Screw, .375-16 x 1.50 hex, SS	
2	60698	2	Washer, .375 flat .875/.040, SS	
3	60684	2	Screw, .250-20 x .875 hex, SS	
4	60340	2	Washer, .312 flat .875/.040, SS	
5	19252	1	Fitting, strt .188 brake line T - w/bracket - female	
6	40819	2	Hose, brake .188 x 60.0 male/male	
7	62221	2	Nut, .500-13 nylock, G5	
8	60416	4	Washer, .500 flat .375/.090	
9	61103	2	Screw, .500-13 x 1.750 sflg	
10	54107B	1	Weldment, brake line support - axle end	
11	60144	1	Nut, .250-20 nylock, G5	
12	60358	1	Nut, .375-16 nylock, G5	
13	60166	2	Washer, M8 flat	
14	54103B	1	Bracket, brake line support	
15	54105B	1	Angle, center brake line support	
16	23250	1	Hose, brake .188 x 94.0 male/male	
--	15626	2	Clamp, tubing - .375 lt duty	
--	60231	2	Rivet, .188 dia x .375 to .500 grip	

## RECOMMENDED SPARE PARTS LIST

---

### ENGINE

Alternator, engine.....	52214
Belt, fan .....	52213
Cap, engine filler .....	52225
Cap, radiator.....	39850
Dipstick, .....	52215
Element, air filter .....	22874
Fan, pusher .....	31410
Filter, fuel.....	52217
Filter, oil .....	52212
Hose, radiator - lower .....	31440
Hose, radiator - upper.....	31439
Pre-Filter, fuel .....	52216
Pump, fuel .....	31451
Sender, fuel .....	20571
Sensor, temp, valve cover .....	52220
Sensor, temp .....	52221
Sensor, low coolant .....	68206
Sensor, oil pressure, valve cover.....	52224
Sensor, oil pressure.....	52223
Starter, engine .....	52219

### PUMP

Vacuum Pump .....	31613B
Impeller.....	52114
Mechanical seal.....	52126
Wear Plate.....	52107

### ELECTRICAL

Controller, LOFA 750 programed.....	54305
E-stop switch .....	65470
E-stop contactor NO/NO.....	65584
Relay, 12V/70A NC/80A NO w/diode (glow plug).....	66455

### TRAILER

Cap, fuel fill.....	23707
Jack, side wind (rear) .....	41133
Jack, top wind (tongue) .....	13051

### MAINTENANCE KITS

500 hr maintenance kit .....	SKM0005
2000 hr maintenance kit .....	SKM0007



